

Information to Recycler

Producer:	Panasonic	date issued: month/year
Product category/ type of equipment (Annex IA and IB of WEEE Directive):	IA:IT and telecommunications equipment	7 / 2020
	IB:Scanner	
Name of equipment:	Document Scanner	
Valid for models:	KV-N1058X, KV-N1028X	

Component/ Material Information

<Existence>

	Component or Material	Marks & Location Write "Exist" if included	Remarks
1	Backlighting lamps of LCD/TFT or similar screens containing Mercury (Hg)	no	
2	Cadmium (*1)	no	
3	Gas discharge lamps	no	
4	Plastic containing brominated flame retardants other than in Printed Circuit Assemblies	Exist Location: See attached references/ AC INLET COVER Sensor PCB Holder Lower Chassis CIS COVER B DFP ROLLER COVER	PNKV1272 PNUF1061 PNUA1083 PNUV1066 PNUV1068
5	Liquid Crystal Displays with a surface greater than 100 cm ²	no	
6	Asbestos	no	
7	Refractory ceramic fibres	no	
8	Radio-active substances	no	
9	Other forms of Beryllium	no	
10	printed circuit boards greater than 10 square centimetres	Exist Location: See attached references/ WIRELESS LAN Board PANEL SWITCH Board LCD PANEL Board STARTING SENSOR Board CONTROL Board for KV-N1058X CONTROL Board for KV-N1028X Power Supply CIS (F) for KV-N1058X CIS (E) for KV-N1028X	PNWPS1037XD PNWPN1058XC PNWPN1058XB PNWPS1578 PNWPN1058XA PNWPN1028XA PNWPS1057BM N2GBYY000003 N2GBYY000005
11	printed circuit boards less than 10 square centimetres and contain plastics with BFRs	Exist Location: See attached references/ ULTRASONIC SENSOR (G) Board	PNWPS1575M1
12	The external electric cable	Exist Location: See attached references/ AC Cord USB Cable	K2CG3YY00198 K1HY09YY0021

<Location>

	Component or Material	Information of location if included	Remarks
1	Battery (internal) containing Mercury (Hg)/ NiCd/Lithium/ Other	no	
2	Mercury (Hg) in other applications (*1)	no	
3	Capacitors with PCB's	no	
4	Capacitors with substances of concern + height > 25mm, diameter > 25 mm or proportionately similar volume	no	
5	Beryllium Oxide	no	

<Location & Information>

	Component or Material	location	Information if included	Remarks
1	Gasses – which fall under Regulation (EC) 2037/2000 and all hydrocarbons (HC).	location	no	
		type of gas		
		properties		
		volume and/or weight		
2	Components with pressurised gas which need special attention [Pressure > 1,5 bar]	location	no	
		type of gas		
		pressure level		
		discharge method		
3	Liquids if volume > 10 cl (or equivalence in weight, e.g. for PCB, oil...)	location	no	
		type of liquid		
		discharge method		
4	Mechanical components that store mechanical energy (i.e. springs) or equivalent parts which need special attention [diameter > 10 mm and height > 25 mm or proportionally similar volume and expanding]	location	no	

(*1)Substances are considered to be in the product if present above the levels specified in Commission Decision 2005/618/EC related to Directive 2002/95/EC (RoHS Directive) or if their use is permitted through exemptions in the Annex of Directive 2002/95/EC

End-of-Life Characterization Report

Producer:	Panasonic	date issued: month/year 7 / 2020
Product category/ type of equipment (Annex IA and IB of WEEE Directive):	IA:IT and telecommunications equipment	
	IB:Scanner	
Name of equipment:	Document Scanner	
Valid for models:	KV-N1058X, KV-N1028X	

Component/ Material Information

<Existence>

	Component or Material	Marks & Location Write "Exist" if included	Remarks	Quantity	Tools Needed for Disassembly	Disassembly Instructions
1	Backlighting lamps of LCD/TFT or similar screens containing Mercury (Hg)	no		0	NA	NA
2	Cadmium (*1)	no		0	NA	NA
3	Gas discharge lamps	no		0	NA	NA
4	Plastic containing brominated flame retardants other than in Printed Circuit Assemblies	Exist Location: See attached references/ AC INLET COVER Sensor PCB Holder Lower Chassis CIS COVER B DFP ROLLER COVER	PNKV1272 PNUF1061 PNUA1083 PNUV1066 PNUV1068	5	Screw driver Nipper Needle-nose plier Blow-dryer	See attached references.
5	Liquid Crystal Displays with a surface greater than 100 cm2	no		0	NA	NA
6	Asbestos	no		0	NA	NA
7	Refractory ceramic fibres	no		0	NA	NA
8	Radio-active substances	no		0	NA	NA
9	Other forms of Beryllium	no		0	NA	NA
10	printed circuit boards greater than 10 square centimetres	Exist Location: See attached references/ WIRELESS LAN Board PANEL SWITCH Board LCD PANEL Board STARTING SENSOR Board CONTROL Board for KV-N1058X CONTROL Board for KV-N1028X Power Supply CIS (F,B) for KV-N1058X CIS (F,B) for KV-N1028X	PNWPS1037XD PNWPN1058XC PNWPN1058XB PNWPS1578 PNWPN1058XA PNWPN1028XA PNWPS1057BM N2GBYY000003 N2GBYY000005	9	Screw driver Nipper Needle-nose plier Blow-dryer	See attached references.
11	printed circuit boards less than 10 square centimetres and contain plastics with BFRs	Exist Location: See attached references/ ULTRASONIC SENSOR (G) Board	PNWPS1575M1	1		
12	The external electric cable	Exist Location: See attached references/ AC Cord USB Cable	K2CG3YY00198 K1HY09YY0021	2		

<Location>

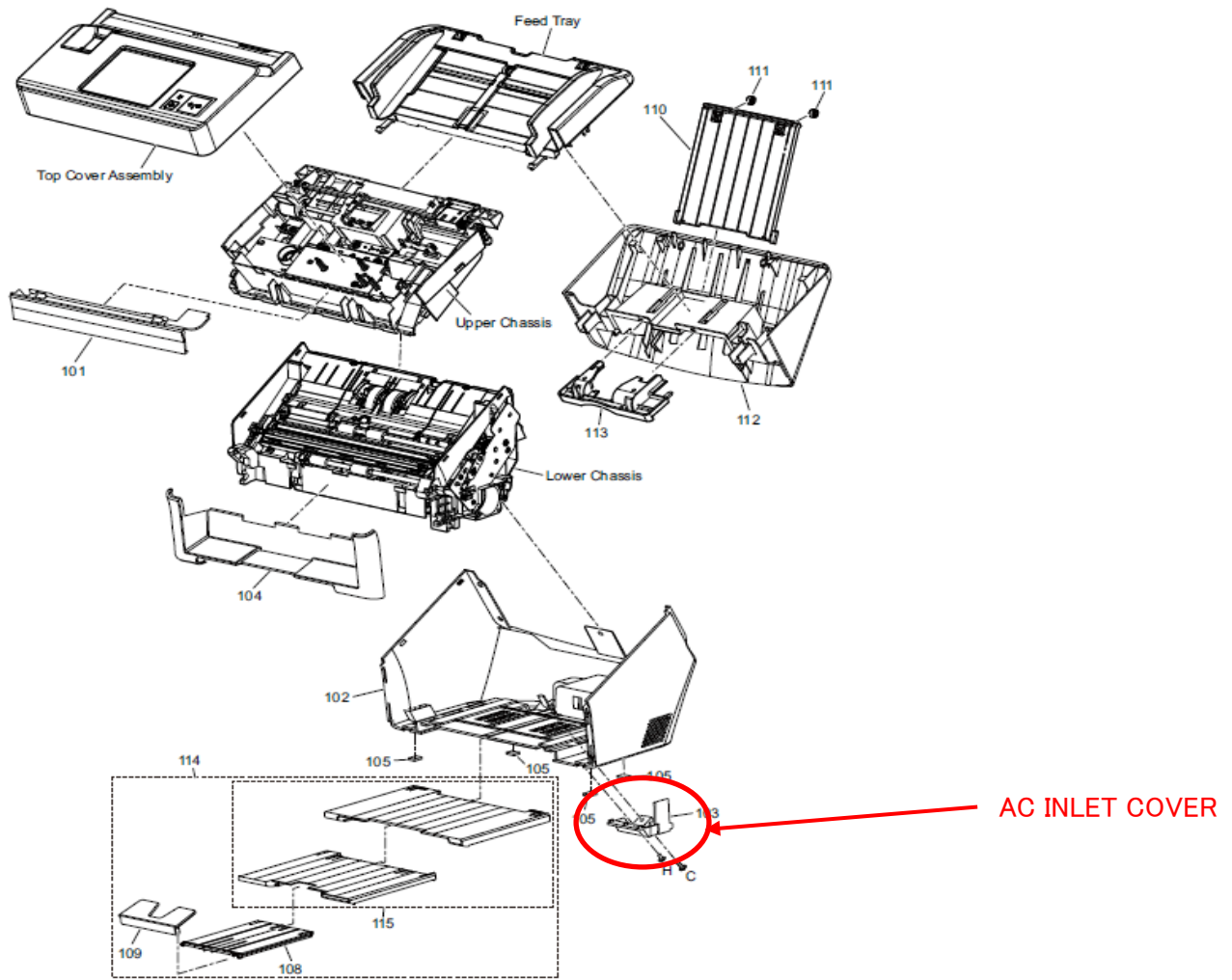
	Information of location if included	Remarks	Quantity	Tools Needed for Disassembly	Disassembly Instructions
1	Battery (internal) containing Mercury (Hg)/ NiCd/Lithium/ Other	CONTROL Board for KV-N1058X CONTROL Board for KV-N1028X	2	Nipper	See attached references.
2	Mercury (Hg) in other applications (*1)	no	0	NA	NA
3	Capacitors with PCB's	no	0	NA	NA
4	Capacitors with substances of concern + height > 25mm, diameter > 25 mm or proportionately similar volume	no	0	NA	NA
5	Beryllium Oxide	no	0	NA	NA

<Location & Information>

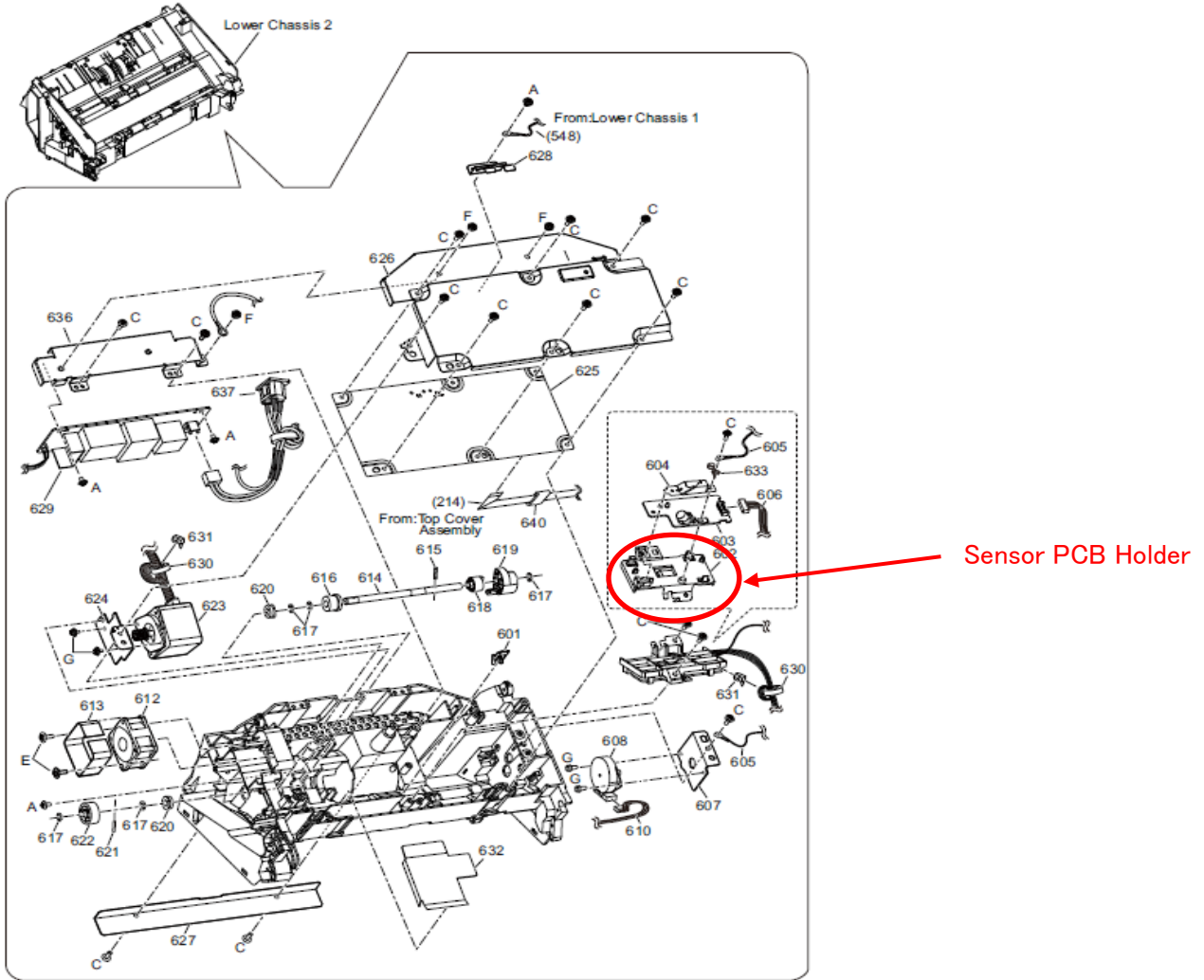
	Information if included	Remarks	Quantity	Tools Needed for Disassembly	Disassembly Instructions
1	Gasses – which fall under Regulation (EC) 2037/2000 and all hydrocarbons (HC). location type of gas properties volume and/or weight	no	0	NA	NA
2	Components with pressurised gas which need special attention [Pressure > 1,5 bar] location type of gas pressure level discharge method	no	0	NA	NA
3	Liquids if volume > 10 cl (or equivalence in weight, e.g. for PCB, oil...) location type of liquid discharge method	no	0	NA	NA
4	Mechanical components that store mechanical energy (i.e. springs) or equivalent parts which need special attention [diameter > 10 mm and height > 25 mm or proportionally similar volume and expanding] location	no	0	NA	NA

(*1) Substances are considered to be in the product if present above the levels specified in Commission Decision 2005/618/EC related to Directive 2002/95/EC (RoHS Directive) or if their use is permitted through exemptions in the Annex of Directive 2002/95/EC

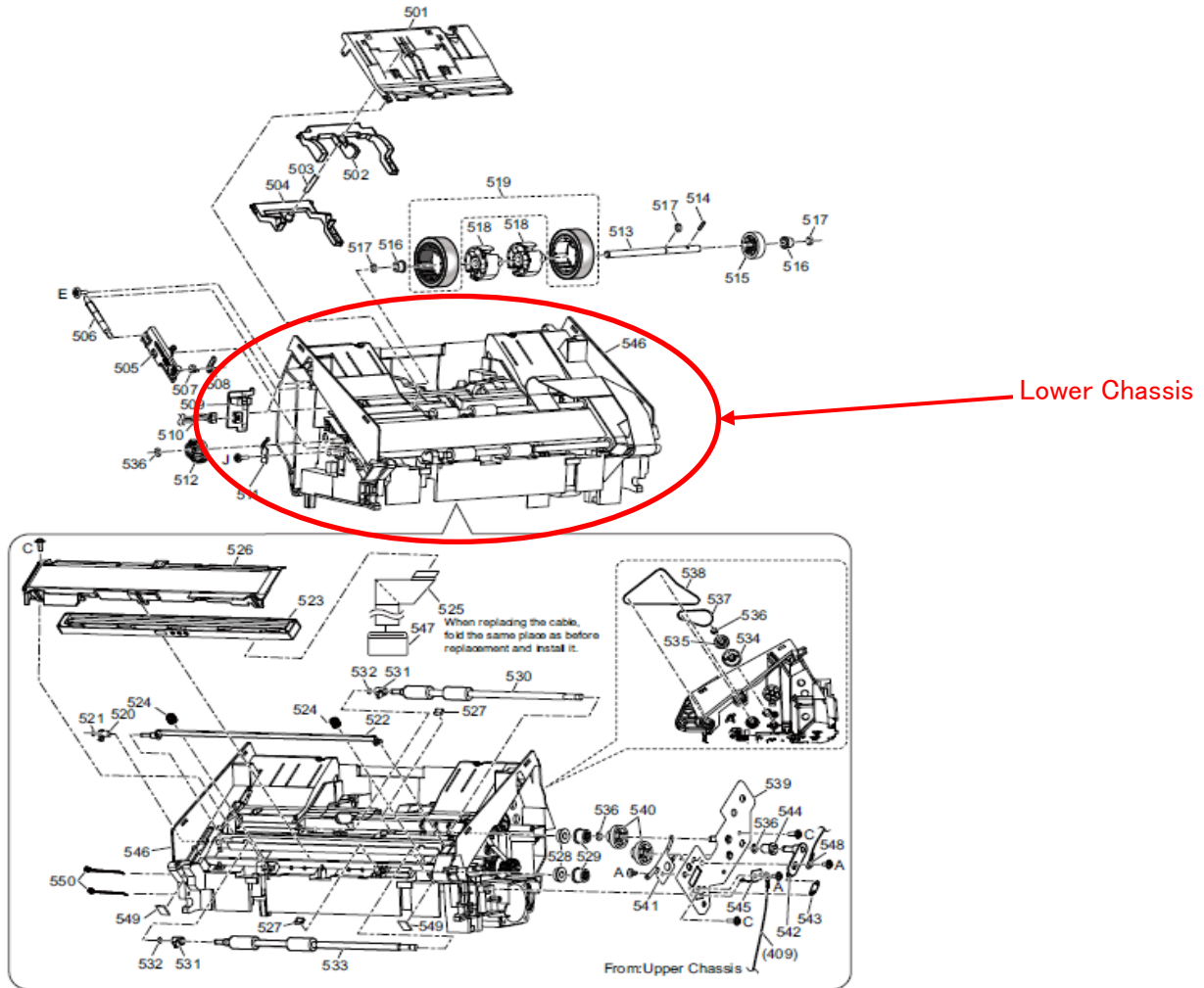
15.1. Exterior



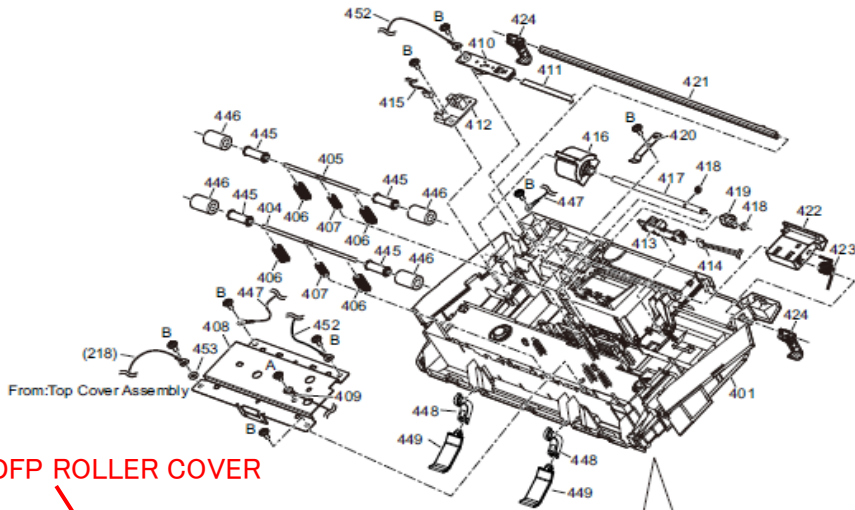
For KV-N1028X-M,N1058X-M



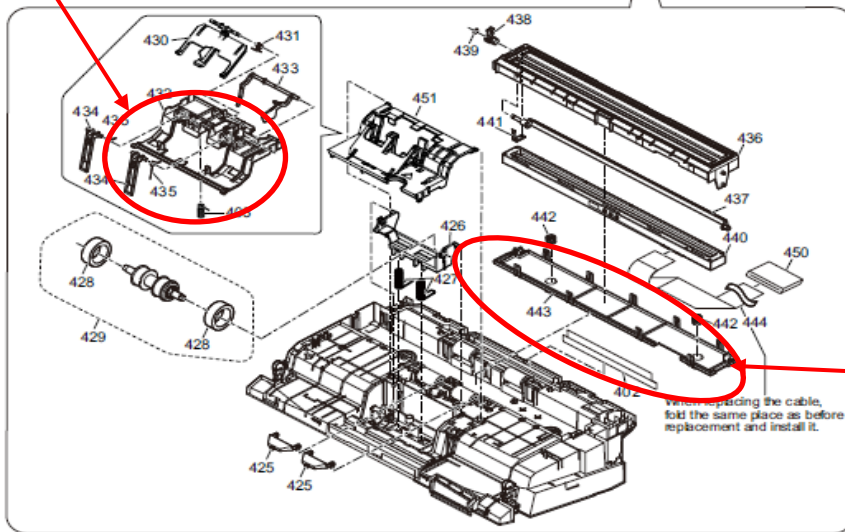
15.5. Lower Chassis 1



15.4. Upper Chassis

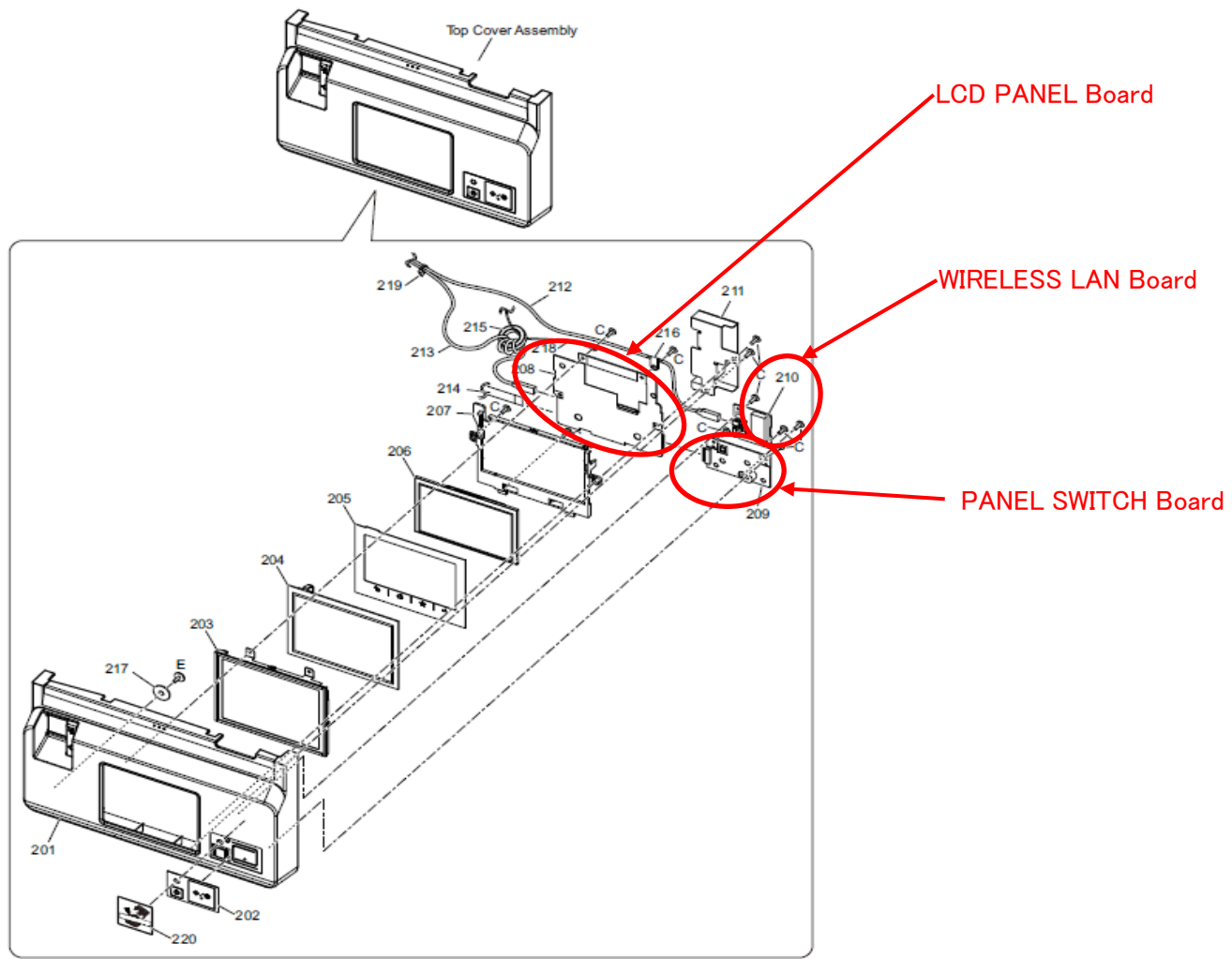


DFP ROLLER COVER

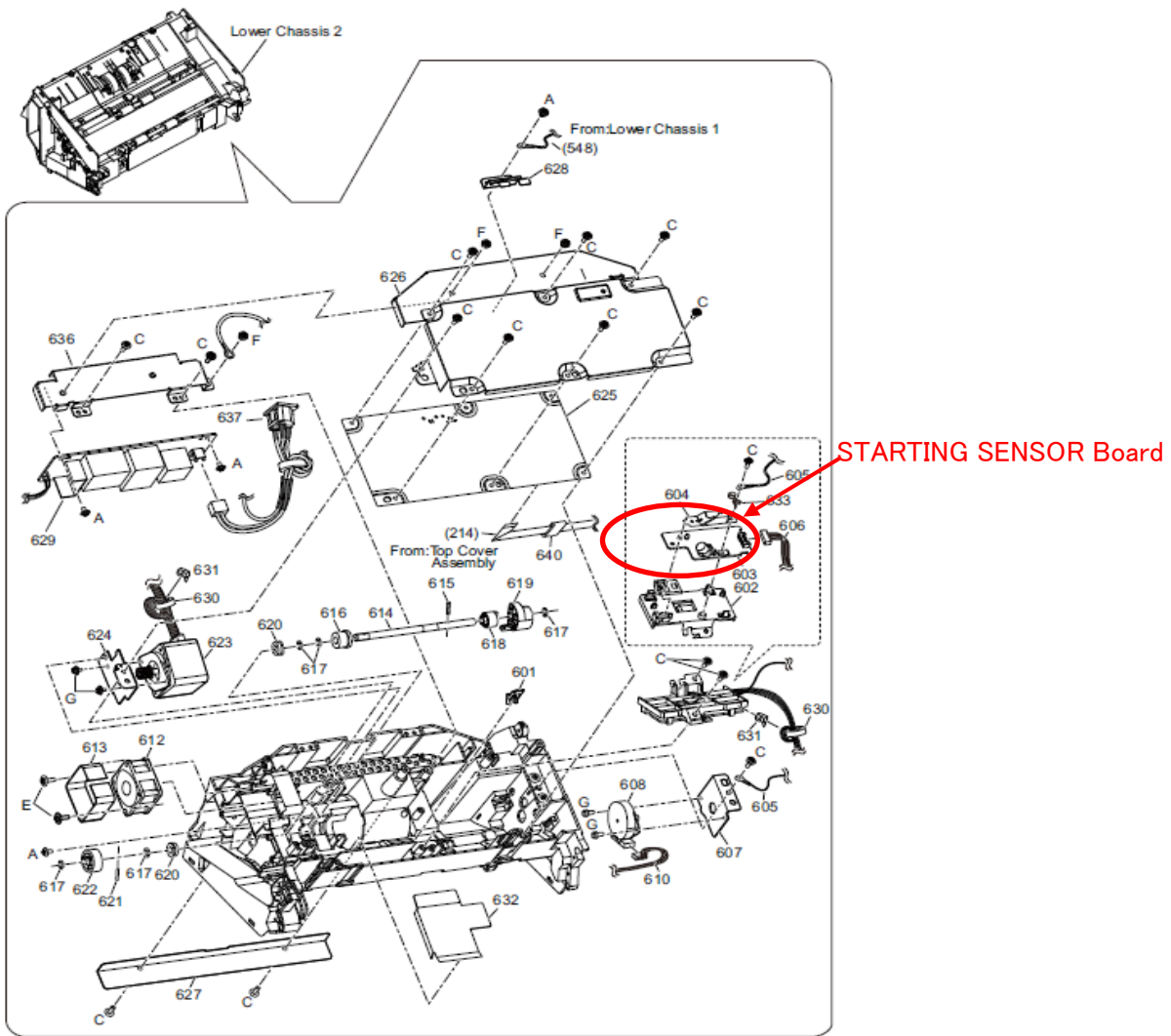


CIS COVER B

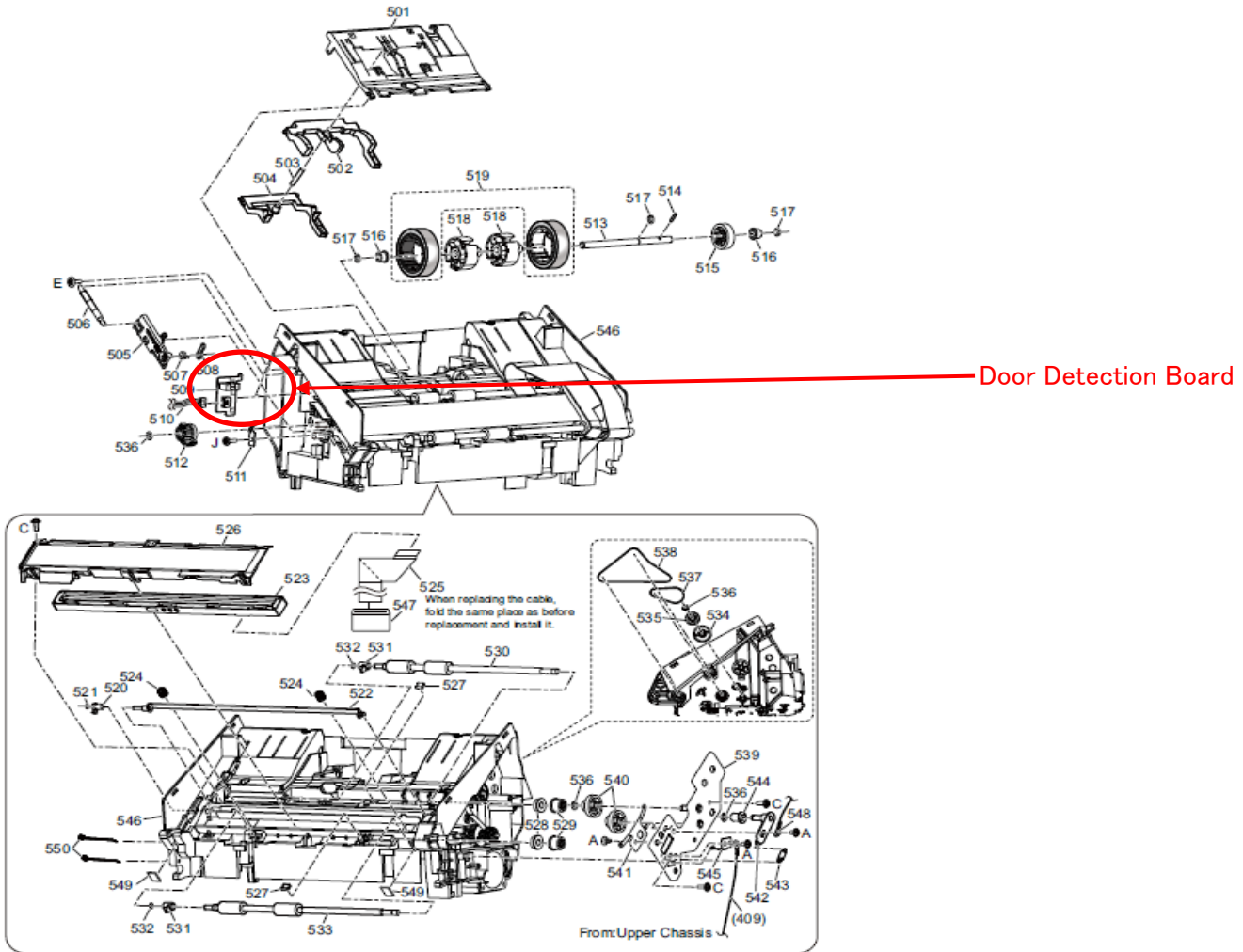
15.2. Top Cover Assembly



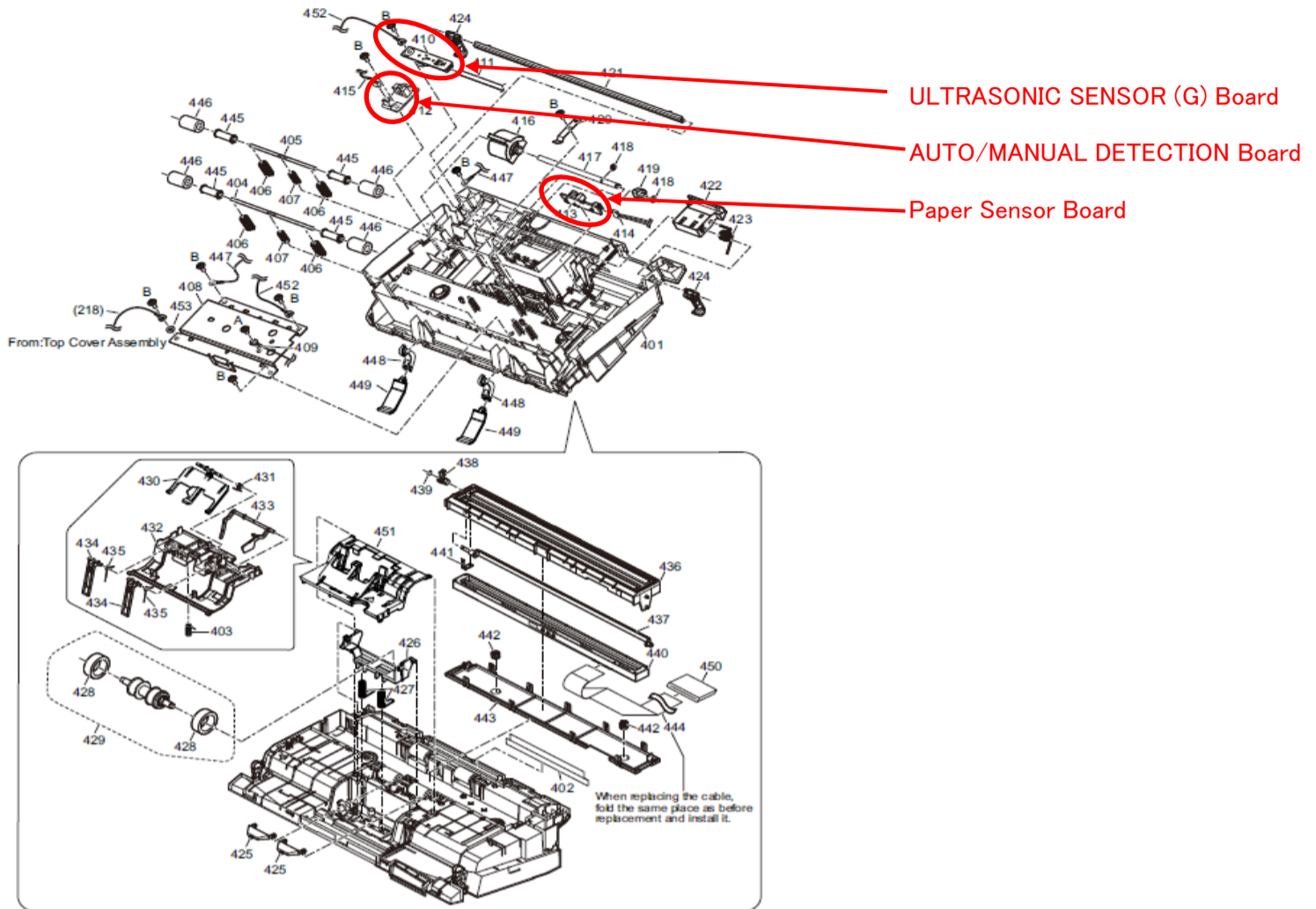
For KV-N1028X-M,N1058X-M



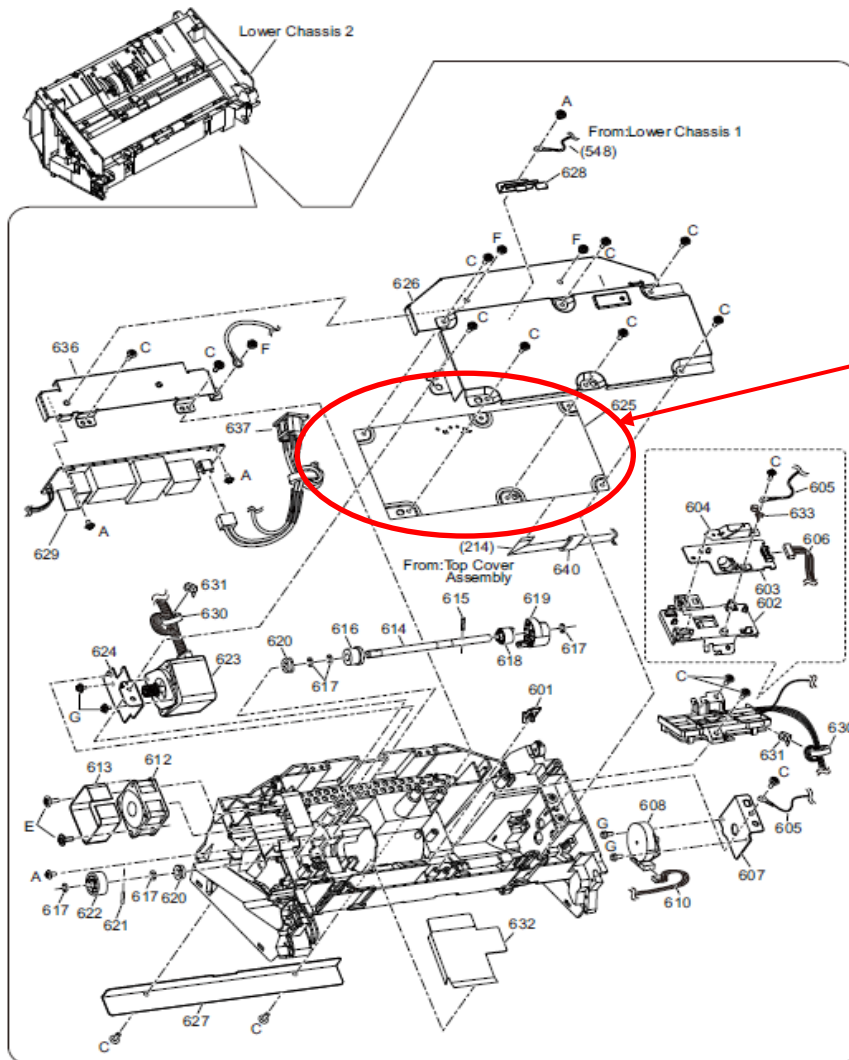
15.5. Lower Chassis 1



15.4. Upper Chassis



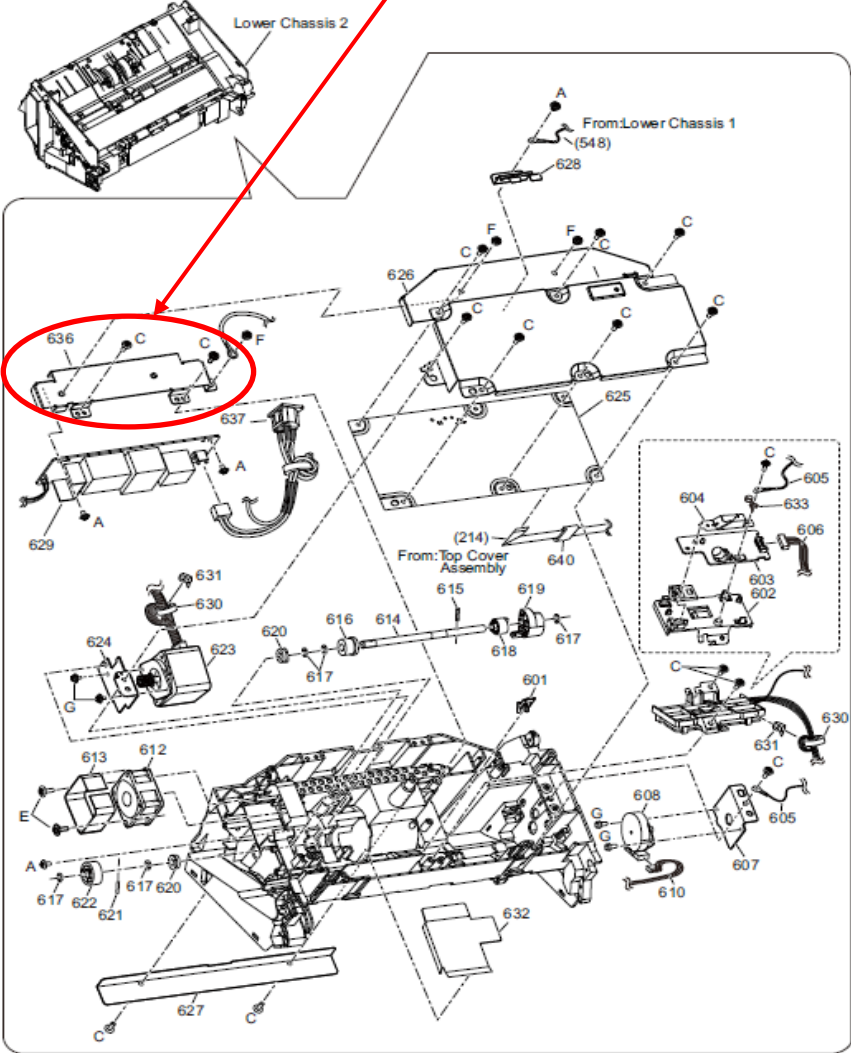
For KV-N1028X-M,N1058X-M



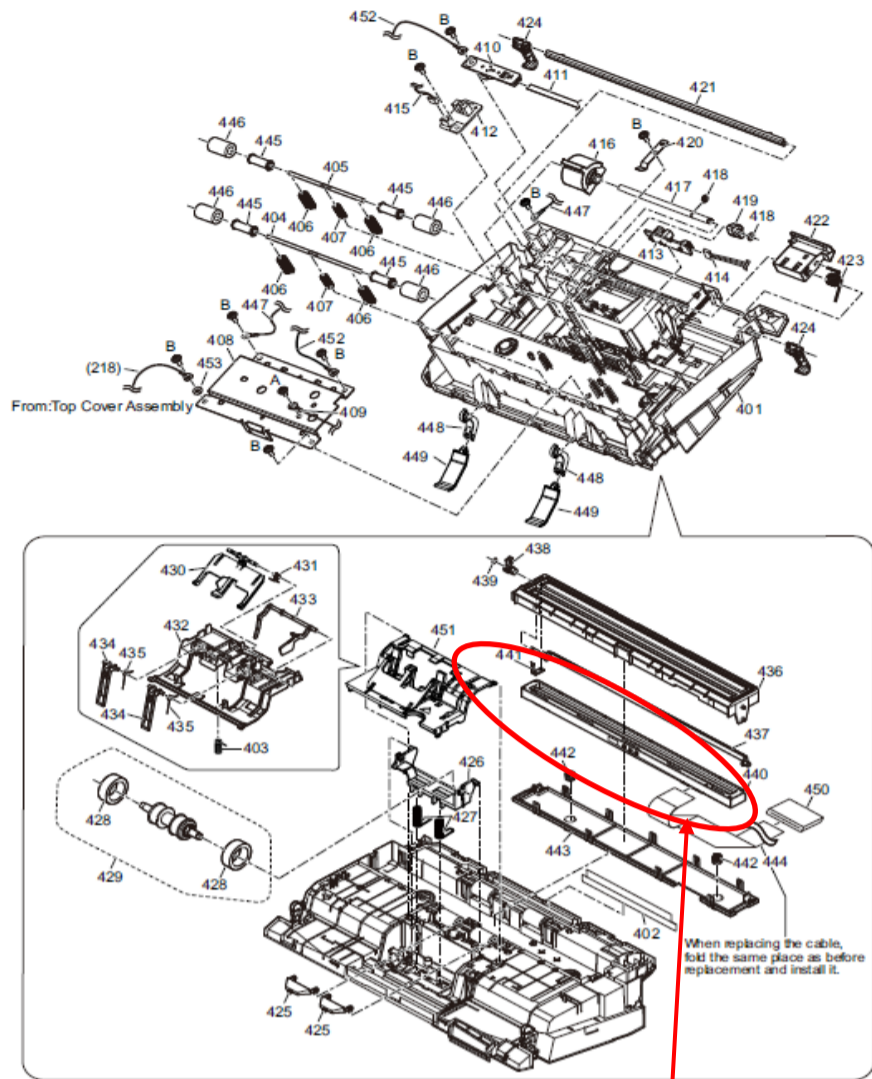
CONTROL Board for KV-N1058X
CONTROL Board for KV-N1028X

For KV-N1028X-M,N1058X-M

Power Supply

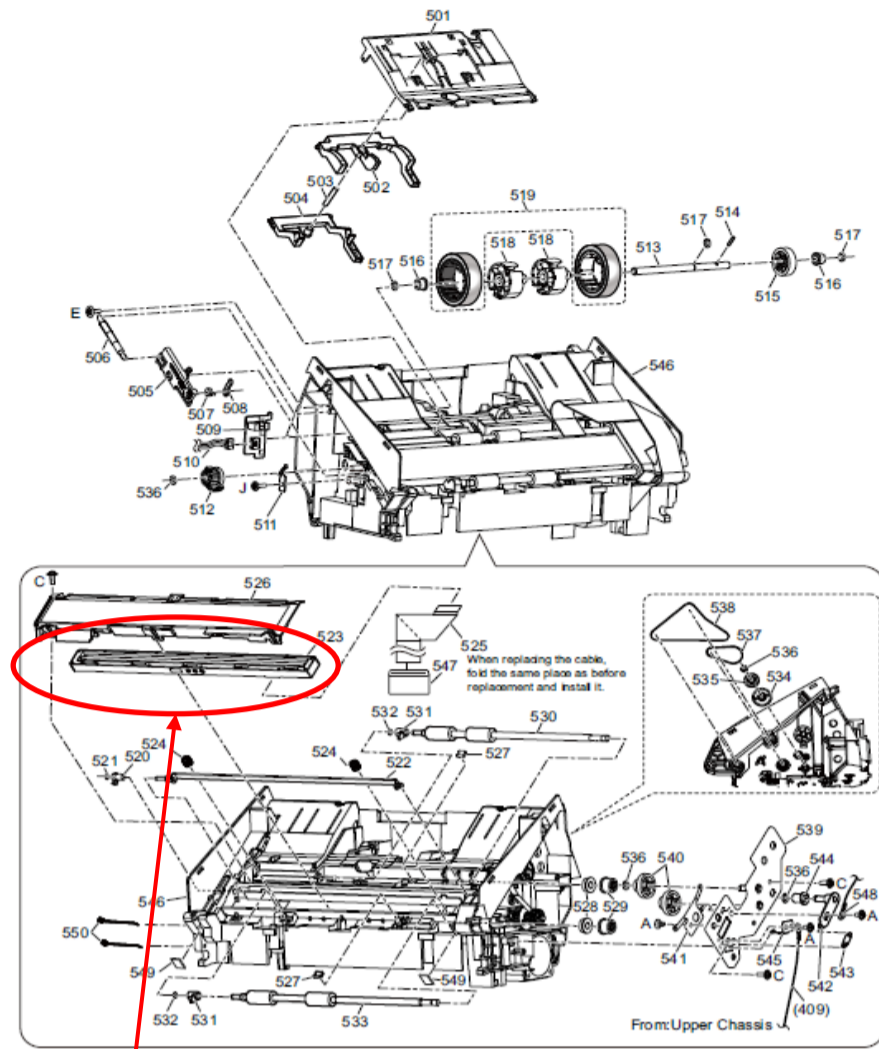


15.4. Upper Chassis



CIS (B) for KV-N1058X
 CIS (B) for KV-N1028X

15.5. Lower Chassis 1



CIS (F) for KV-N1058X
 CIS (F) for KV-N1028X

15.7. Packing

