

Lens Motor Cover

This lens motor cover is used to protect the motor when a Panasonic's applicable lens is mounted onto a specific Panasonic projector.

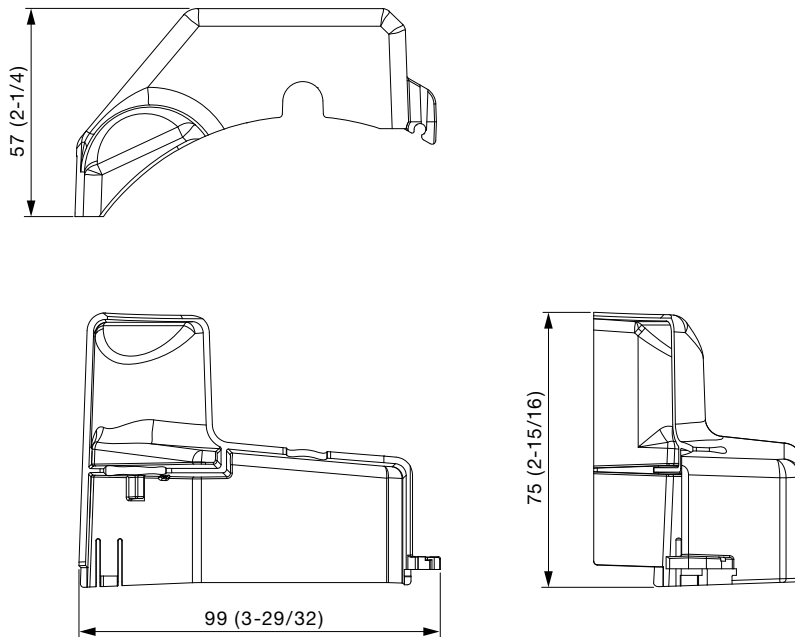
Specifications

Dimensions (W × H × D): 99 × 75 × 57 mm (3-29/32 × 2-15/16 × 2-1/4 inches)
Weight: 23 g (0.8 ozs)
Applicable lenses*: ET-D75LE1/D75LE2/D75LE3/D75LE4/D75LE5/D75LE8/D75LE6

* A cover is already mounted on the ET-D75LE10, ET-D75LE20, ET-D75LE30, ET-D75LE40 and ET-D75LE50.

Parts	Cover	1
	Cover mounting screw	1

Dimensions



unit : mm (inch)
NOTE: This illustration is not drawn to scale.

Weights and dimensions shown are approximate. Specifications subject to change without notice.