

**Introducing Conference Mode:
More Flexibility with Wireless Microphone Channels
for Conferences & Board meetings**

Conference mode is a new mode available for use with select Panasonic wireless mic receivers (WX-ST600 and WX-ST700) that allows for flexible wireless microphone operation by assigning wireless microphones to be shared across multiple channels on select Panasonic wireless microphone receivers and expansion receivers. By assigning wireless microphones to multiple channels, you can use open channels that are not communicating, which enables for more flexibility in operations and cost savings for deployment.

With Conference mode:

- **Up to 48 microphones can be connected in the whole system**
- **Up to 8 microphones can be used simultaneously**
- **The Panasonic wireless microphone system can be set to “Uninterruptible” or “Interruptible” using the Panasonic Operations Support Software for WX-ST600 / WX-ST700 transmitters.**

The table below outlines the maximum number of mics that can be supported per channel with conference mode ON vs. OFF

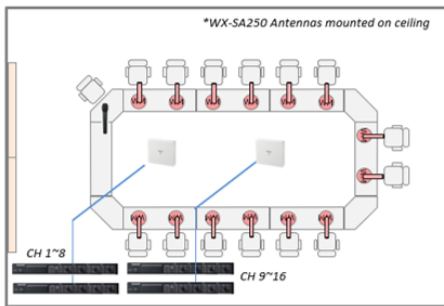
Receiver Model	Conference Mode OFF	Conference Mode On
WX-SR202	6 per channel but only 1 mic can be used at a time	Not supported
WX-SR202DN		12 per channel
WX-SR204 / WX-SR204DN		24 per channel
WX-SE200 / WX-SE200DN		24 per channel

How does it work? A boardroom example:

In a boardroom where you have 1 presenter and 14 participants (so a total of 15 microphone channels), and not all participants will be speaking at the same time, you can save on the number of Panasonic wireless mic receivers required for that installation by using Conference Mode. Conference Mode allows you to intelligently share microphone channels.

Traditional Panasonic DECT Wireless Mic Configuration:

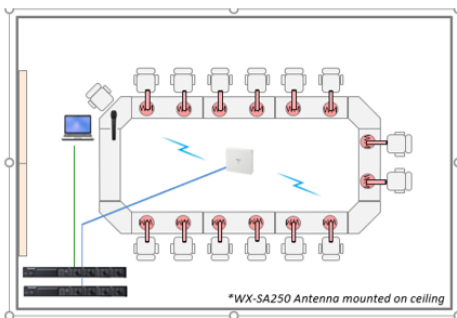
Each microphone has a dedicated communication channel. Wireless Gooseneck mics can be set to ALWAYS ON or PUSH-TO-TALK. Channels can be independently controlled by audio mixer / DSP.



Model Number	Description	Quantity Required
WX-SR204DN	Wireless receiver	2
WX-SE200DN	Extension wireless receiver	2
WX-SA250	Wireless antenna	2
WX-ST200	Wireless HH microphone	1
WX-ST600	Wireless Transmitter Base	14
WM-KG645	18" Gooseneck Microphone	14

Panasonic DECT Wireless Mic Configuration **with Conference Mode:**










In this example we will pair the wireless handheld mic to channel 1 and then share the remaining 14 wireless Gooseneck mics across the remaining 7 channels. Panasonic Operations Support Software v4.0.0 is required to put the wireless receiver in Conference mode and provides for Gain control adjustment of the individual mics that share channels



Model Number	Description	Quantity Required
WX-SR204DN	Wireless receiver	1
WX-SE200DN	Extension wireless receiver	1
WX-SA250	Wireless antenna	1
WX-ST200	Wireless HH microphone	1
WX-ST600	Wireless Transmitter Base	14
WM-KG645	18" Gooseneck Microphone	14
Panasonic Operations Support Software v4.0.0 running on Windows PC		1

Conference Mode is available for Select Panasonic Wireless Mic Receivers with the proper firmware. Please refer to the table on the next page:

Supported Models & Firmware Version Required:

Products	Model Number	Supported (Firmware Version Required)	Serial Number for Native Support (no firmware update required)
Wireless Mic Receiver	WX-SR202 	Not Supported	Not Supported
	WX-SR204 	Supported from V6.00 <i>For versions below V6, update is required</i>	From serial numbers starting with the letters "VJ....." or higher
	WX-SR202DN 	Supported from V6.00 <i>For versions below V6, update is required</i>	
	WX-SR204DN 	Supported from V6.00 <i>For versions below V6, update is required</i>	
Expansion Receivers	WX-SE200 	Supported from V6.00 <i>For versions below V6, update is required</i>	
	WX-SE200DN 	Supported from V6.00 <i>For versions below V6, update is required</i>	
Wireless Microphones	Handhold and Lavalier Microphone (WX-ST200 and WX-ST400) 	Limited Support; these are "uninterruptible" only.	
	Boundary and Gooseneck Microphone (WX-ST700 and WX-ST600+WM-KG645) NEW 	Supported from 1 st production	
Wireless antenna	WX-SA250 Antenna 	Supported from V6.00 <i>For versions below V6, update is required</i>	From serial numbers starting with the letters "VJ....." or higher

* Operations Support Software V4.0.0.0 or higher is required to configure the multi-session function

Links to Resources on Conference Mode:

- [Click Here](#) to download Conference Mode Addendum to Operating Instructions for WX-SR202DN, WX-SR204, WX-SR204DN.
- To download the Wireless Mic Receiver Firmware v6.0 and Instructions (WX-SR202DN / WX-SR204 / WX-SR204DN only), [Click here](#) and select the "+" next to "Resources".
- To download the Wireless Mic Expansion Receiver Firmware v6.0 and Instructions for WX-SE200 / WX-SE200DN Expansion Receivers, [Click here](#) and select the "+" next to "Resources".
- To download the WX-SA250 Antenna Firmware v6.0 and Instructions, [Click here](#) and select the "+" next to "Resources".
- To download the Operations Support Software v4.0.0, [Click here](#) and select the "+" next to "Resources" (download .exe, Windows PC support only).
- To download Instructions for Operations Support Software v4.0.0, [Click here](#) and select the "+" next to "Resources".
- To download Conference Mode Addendum for Operations Support Software v4.0.0, [Click Here](#)