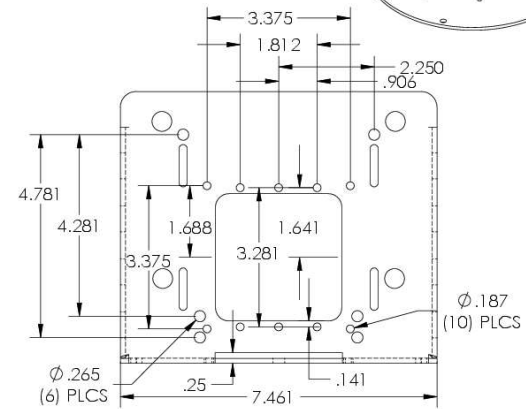
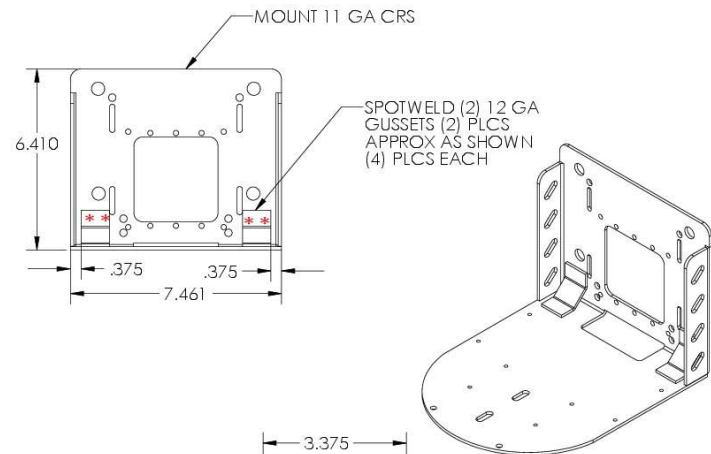


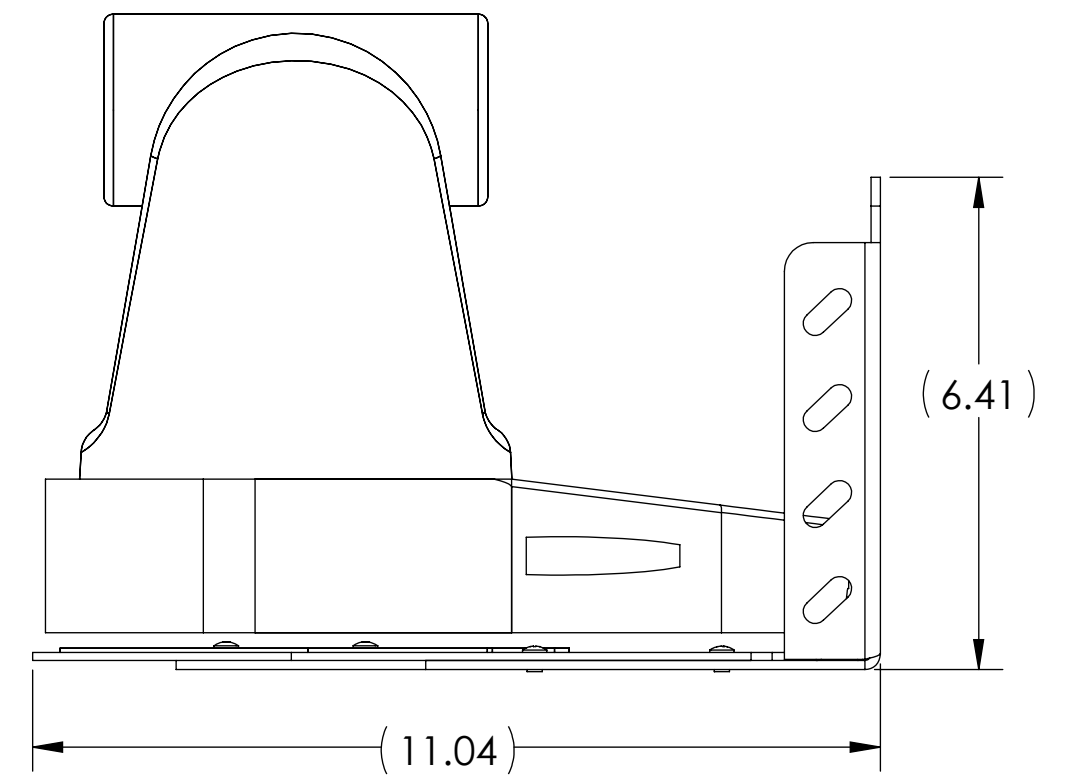
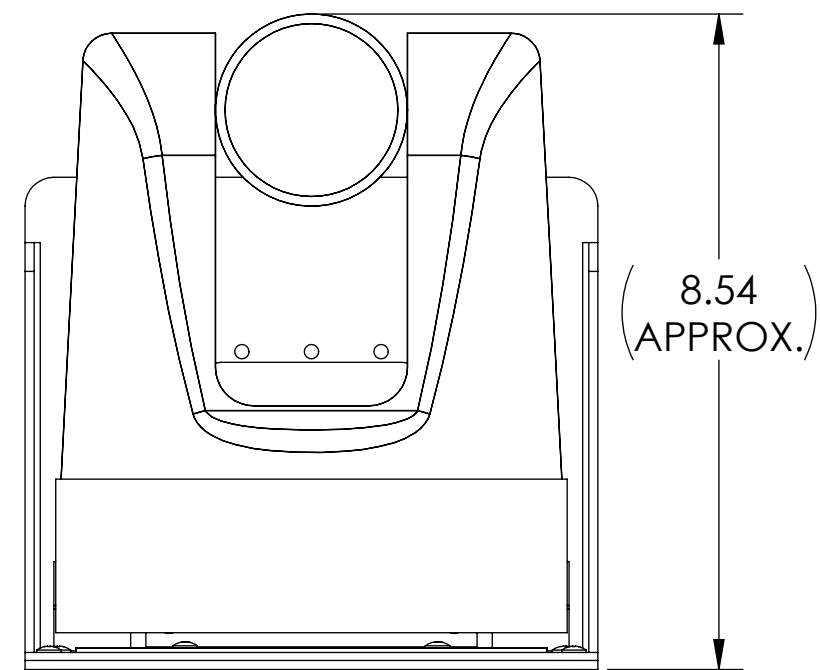
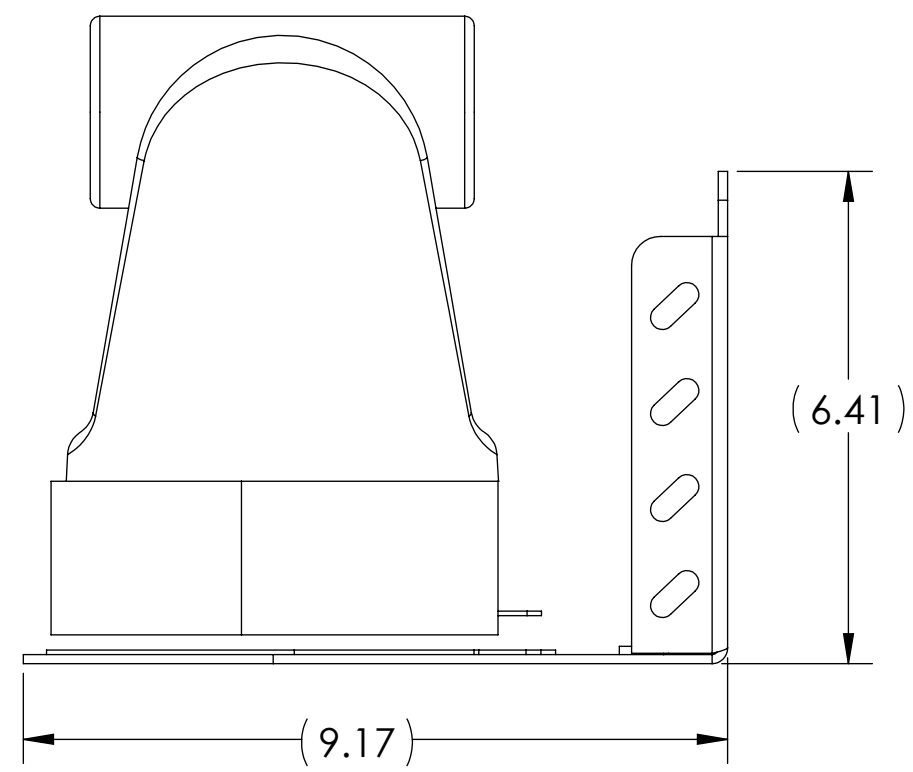
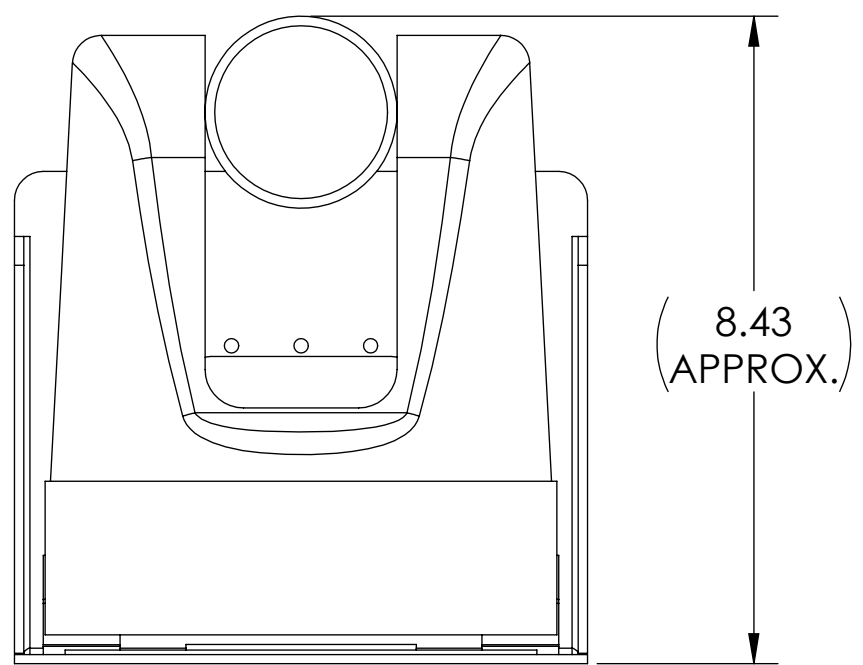
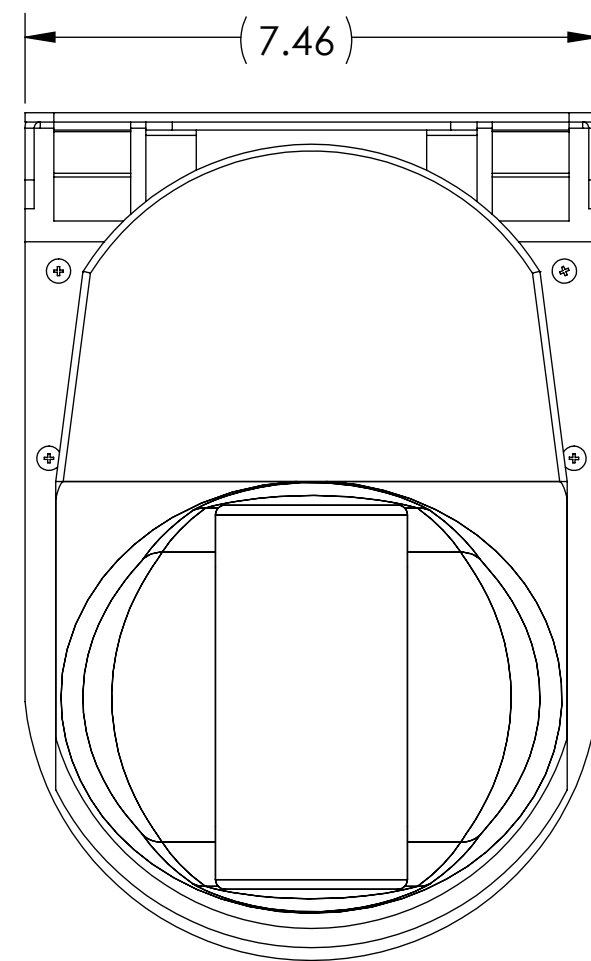
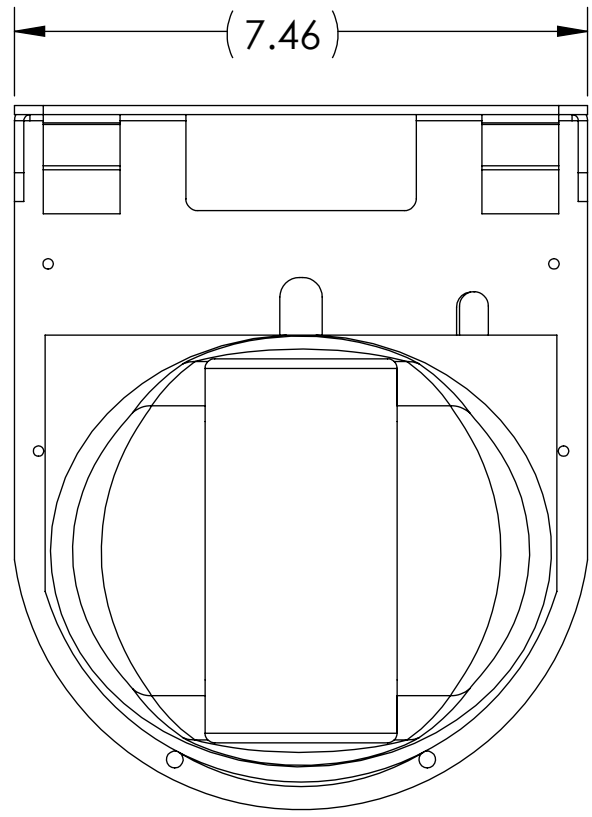
FEC-100WMK and FEC100MMW

- EACH KIT SHIPS WITH THE FOLLOWING ITEMS:**
- (1) FORMED/PAINTED EXTENSION PLATE -12GA STEEL
 - (1) WELDED/PAINTED WALL ASSEMBLY -11GA STEEL
- HARDWARE & PACKAGING:**
- (2) 1/4-20 X 1/2" SCREWS ZINC
 - (2) 1/4" INT TOOTH LWASHER
 - (8) 8-32 X 1/4" PH PHMS
 - (4) 1/4 X 2 1/2" HEX HEAD LAG BOLT
 - (1) INSTALL SHEET



FEC
 TEL 516-967-9565
 email FECrack@ix.netcom.com

"FEC-100WM Overall Dimensions With Camera Installed"



"FEC-100WM Overall Dimensions With Camera Installed"

