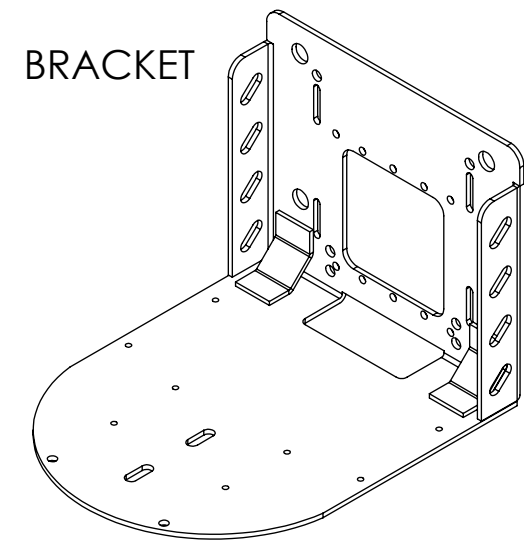


FEC

MODEL FEC-100WMK (BLACK) OR FEC-100WMW (WHITE) WALL MOUNT BRACKET KIT FOR USE WITH PANASONIC AWUE-100 CAMERA

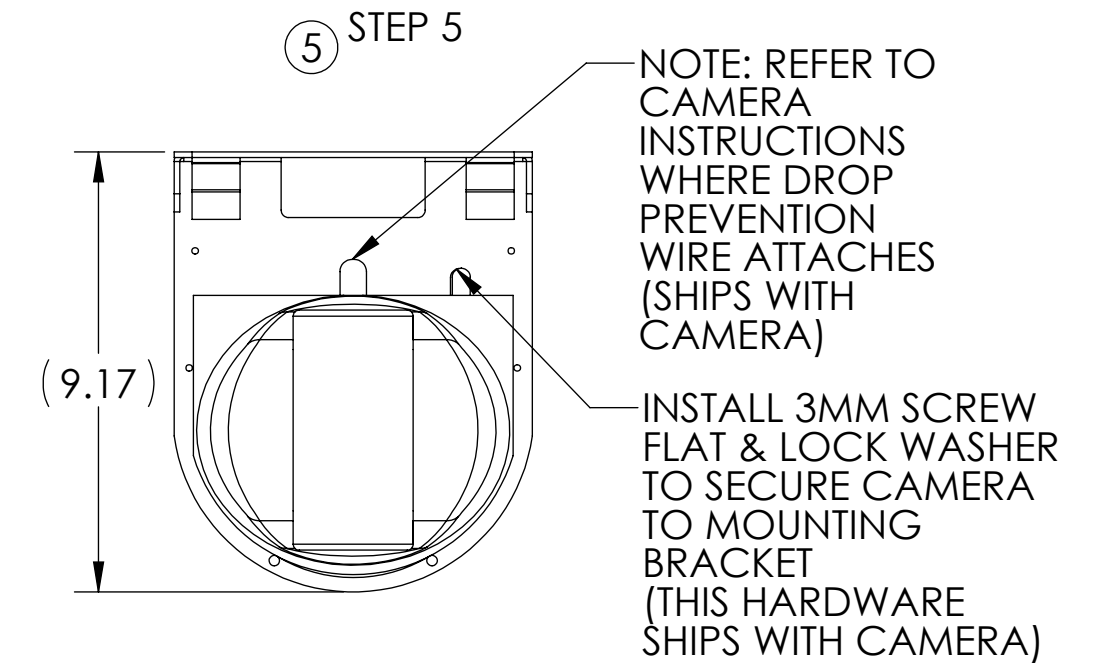
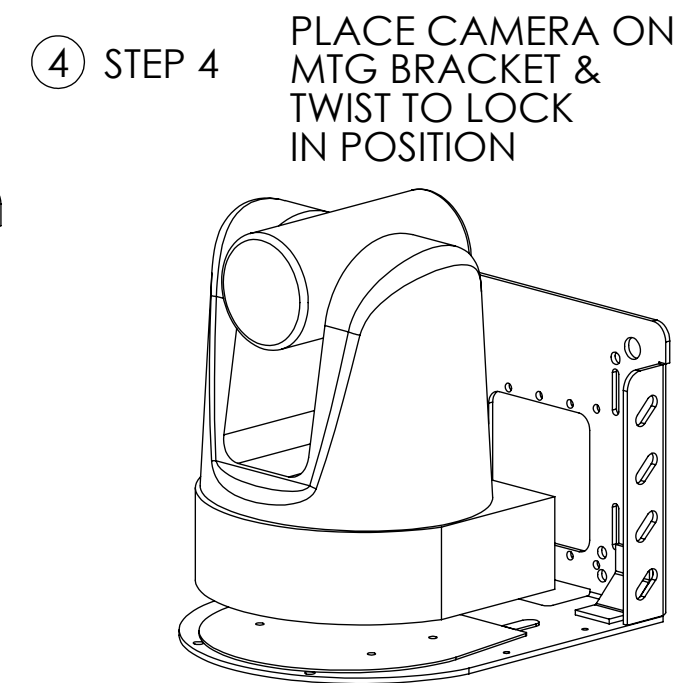
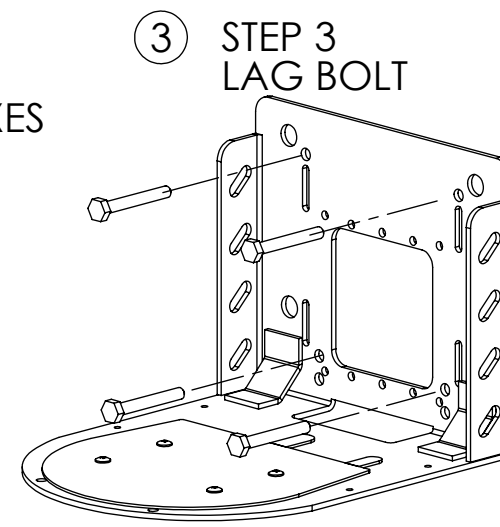
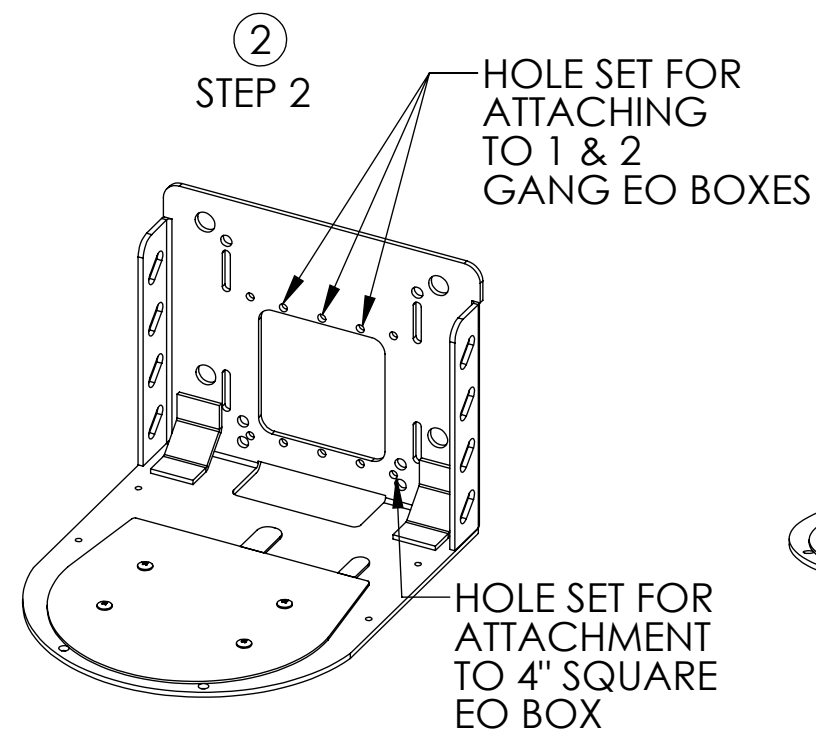
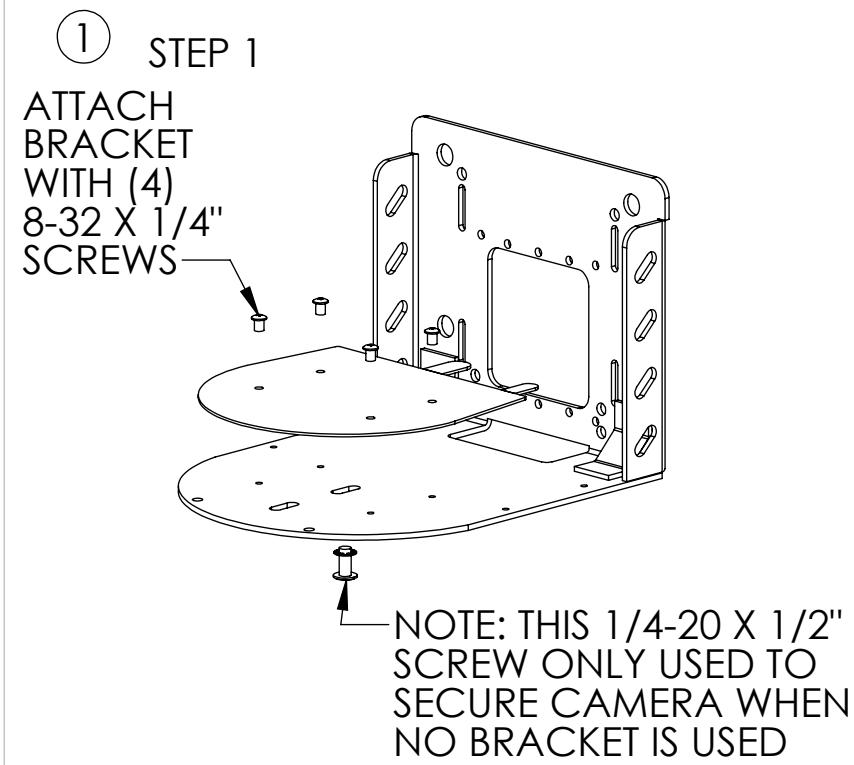


BRACKET

HEIGHT 6.41
WIDTH 7.46
DEPTH 8.07

"INSTALLATION CAMERA WITHOUT REAR CAMERA COVER"

- PANASONIC AW-UE100 INSTRUCTIONS**
- 1 MOUNT CAMERA TWIST LOCK PLATE TO BRACKET WITH (4) 8-32 X 1/4" SCREWS
 - 2 AS AN OPTION, THE WALL BRACKET MAY ALSO BE ATTACHED TO A 1 GANG, 2GANG OR 4" SQUARE EO BOX. (DO NOT USE EO BOX AS SOLE SUPPORT. WALL MOUNT BRACKET MUST BE SECURED WITH SUFFICIENT SIZE SCREWS THROUGH THE .25" DIAMETER. MOUNTING HOLES.)
 - 3 MOUNT BRACKET TO WALL USING APPROPRIATE HARDWARE THROUGH THE .25" MOUNTING HOLES. USE 1/4 x 2 1/2" LAG BOLTS FOR WOOD WALL STUDS. ROUTE CABLES THROUGH WIRE MANAGEMENT PORTS. (MAKE CERTAIN THAT MOUNTING METHOD IS SECURE AND FOLLOWS ACCEPTED NORMS FOR THIS APPLICATION)
 - 4 MOUNT CAMERA TO TWIST-LOCK CAMERA BRACKET PER CAMERA INSTRUCTIONS
 - 5 FINISH SECURING CAMERA TO MOUNTING PLATE WITH (1) SCREW SHIPPED WITH CAMERA ATTACH DROP PREVENTION WIRE PER CAMERA INSTRUCTIONS, CONNECT CABLES.



SAFETY NOTE:

- Before beginning the installation, it is very important to examine the unit for damage, defects and correct hardware.
- The Installation instructions must be read and entirely understood prior to install.
- It must be determined that the mounting surface is capable of supporting the mount and equipment.
- The Professional Installer must determine the proper way to attach the WALL BRACKET MODEL XXXX
- The installation of the mount and equipment is dependent on proper/secure attachment and is the responsibility of the installer.
- Make sure wall will support 4 times the combined weight of Equipment and Wall Mount.-
- This mount should be attached to wood studs only. Under no circumstances should this product be mounted to metal studs, unless an installation professional deems they have been adequately reinforced and will support 4 times the combined weight of Equipment and the Wall Mount.
- Please use only the bolts supplied with the unit or bolts of the correct size, making sure the hardware used is tightened properly for a secure installation..
- The WALL BRACKET MODEL is only intended to be used with the equipment listed on the install sheet. It is not meant to be used with any other equipment.
- If at anytime, a question arises regarding this installation (or regarding the safety or integrity of the projected use) cease the installation and either obtain the advice of another qualified installer or contact FEC.

HARDWARE:
(4) 1/4" X 2 1/2" HEX HEAD LAG BOLT
(8) 8-32 X 1/4" PHILLIPS PAN HEAD SCREW
(2) 1/4-20 X 1/2" SCREWS
(2) 1/4" LOCK WASHER

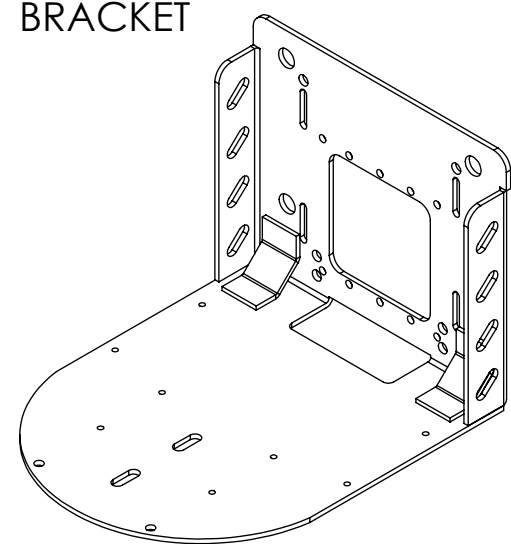
FEC 5 BREWSTER ST.
GLEN COVE, NY 11542

PHONE: (516) 967-9565
fecrack@ix.netcom.com

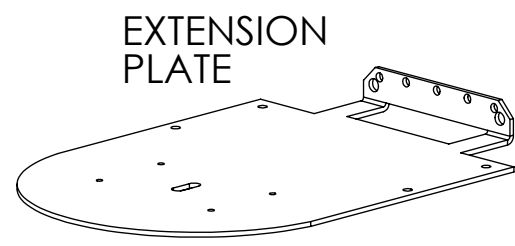
P/N 23758
09-11-20

FEC MODEL FEC-100WMK (BLACK) OR FEC-100WMW (WHITE) WALL MOUNT BRACKET KIT FOR USE WITH PANASONIC AWUE-100 CAMERA

BRACKET

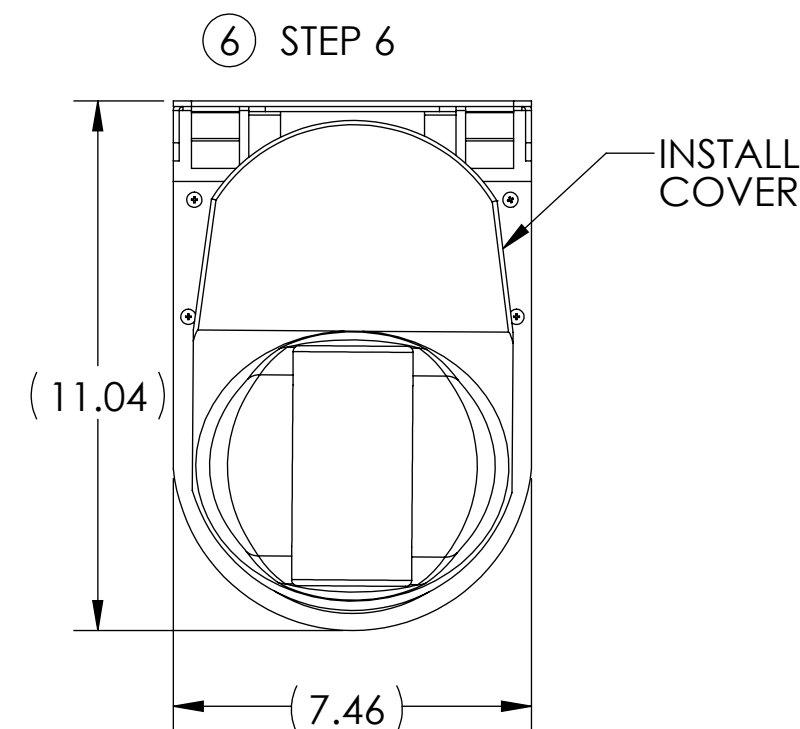
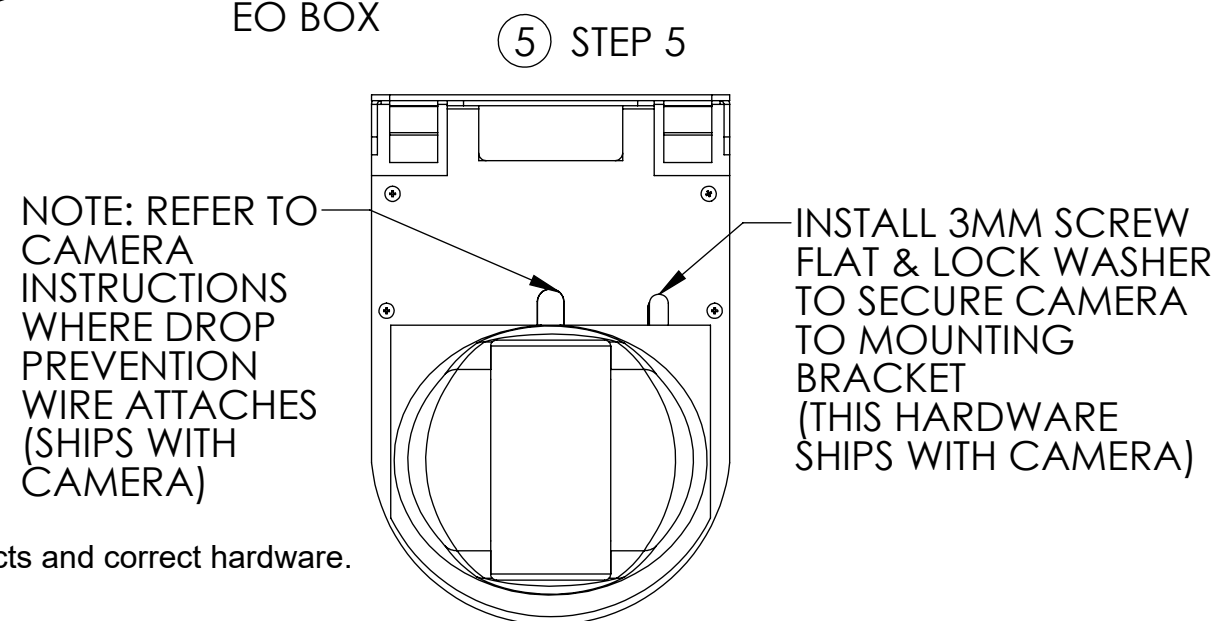
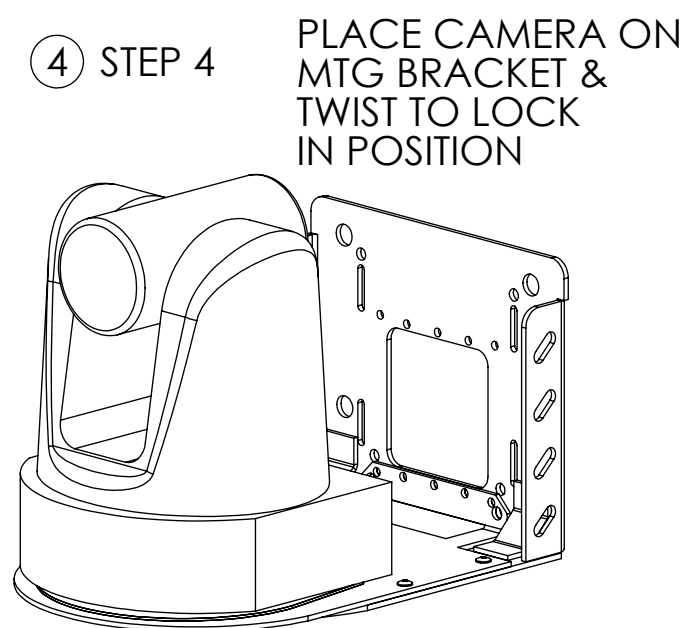
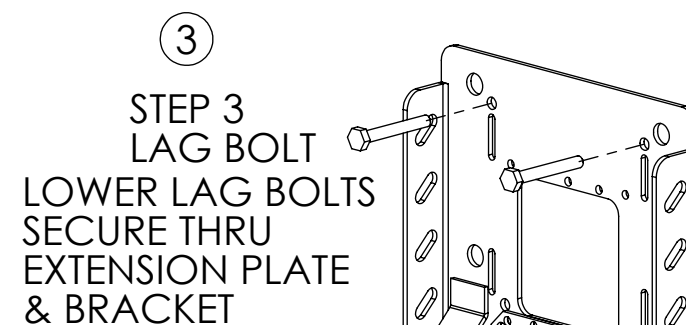
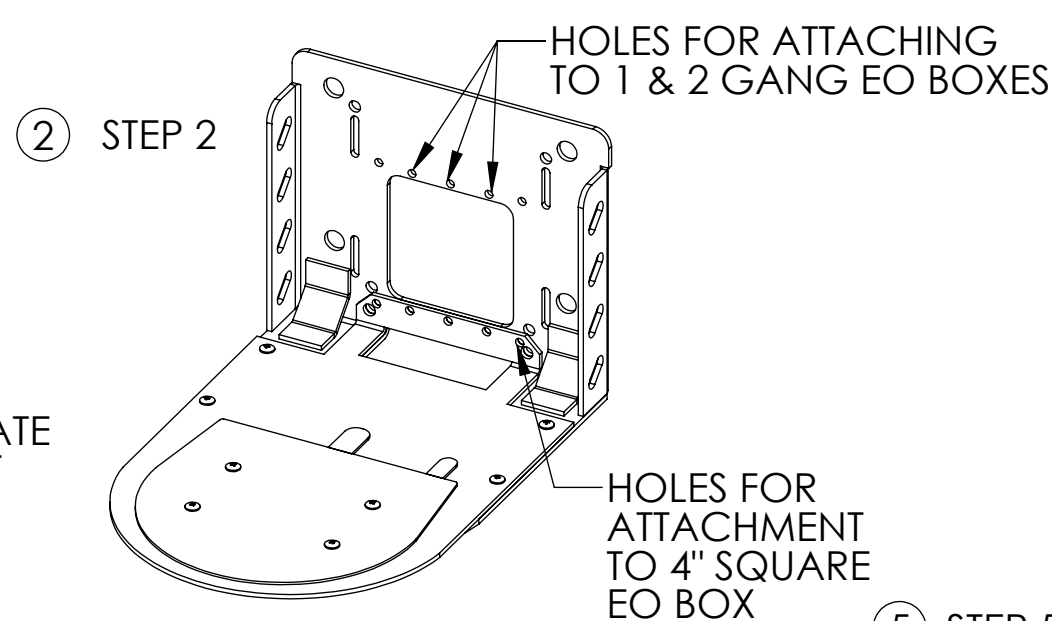
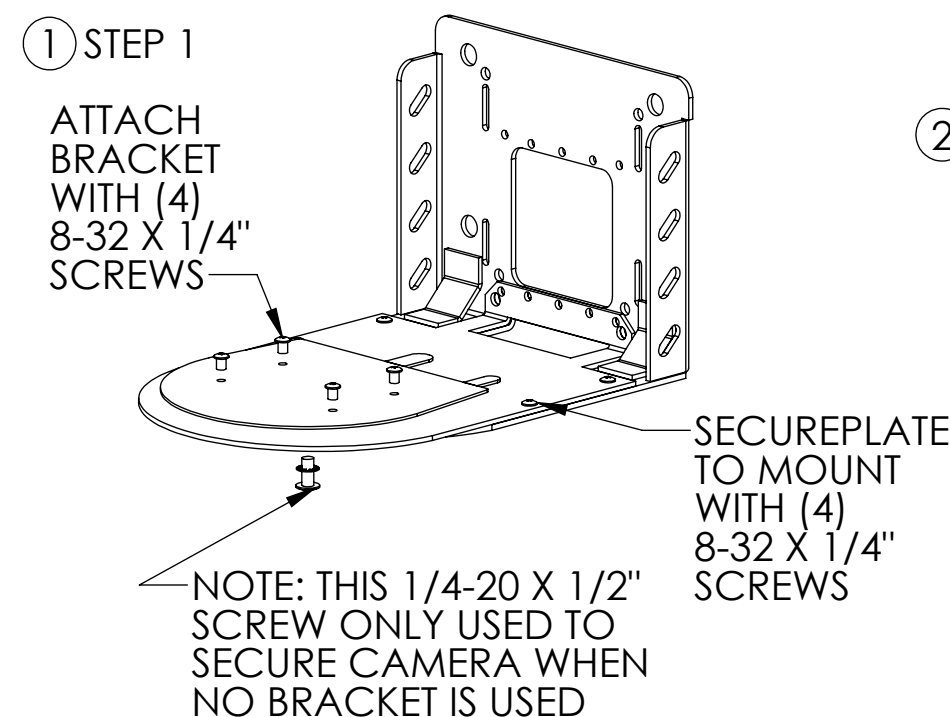


HEIGHT 6.41
WIDTH 7.46
DEPTH 11.04 WITH EXTENSION



"INSTALLATION CAMERA WITH REAR CAMERA COVER"

- ① **PANASONIC AW-UE100 INSTRUCTIONS**
MOUNT CAMERA TWIST LOCK PLATE TO EXTENSION PLATE THEN PLATE TO BRACKET WITH (8) 8-32 X 1/4" SCREWS
- ② AS AN OPTION, THE WALL BRACKET MAY ALSO BE ATTACHED TO A 1 GANG, 2GANG OR 4" SQUARE EO BOX. (DO NOT USE EO BOX AS SOLE SUPPORT. WALL MOUNT BRACKET & EXTENSION PLATE MUST BE SECURED WITH SUFFICIENT SIZE SCREWS THROUGH THE .25" DIAMETER. MOUNTING HOLES.)
- ③ MOUNT BRACKET TO WALL USING APPROPRIATE HARDWARE THROUGH THE .25" MOUNTING HOLES. USE 1/4 x 2 1/2" LAG BOLTS FOR WOOD WALL STUDS. ROUTE CABLES THROUGH WIRE MANAGEMENT PORTS. (MAKE CERTAIN THAT MOUNTING METHOD IS SECURE AND FOLLOWS ACCEPTED NORMS FOR THIS APPLICATION) (IF BRACKET IS INVERTED MAKE SURE EXTENSION PLATE IS INSTALLED PRIOR TO ANCHORING TO WALL - SEE STEP 1)
- ④ MOUNT CAMERA TO TWIST-LOCK CAMERA BRACKET PER CAMERA INSTRUCTIONS
- ⑤ FINISH SECURING CAMERA TO MOUNTING PLATE WITH (1) SCREW SHIPPED WITH CAMERA ATTACH DROP PREVENTION WIRE PER CAMERA INSTRUCTIONS, CONNECT CABLES.
- ⑥ INSTALL CABLE COVER TO CAMERA



SAFETY NOTE:

- Before beginning the installation, it is very important to examine the unit for damage, defects and correct hardware.
- The Installation instructions must be read and entirely understood prior to install.
- It must be determined that the mounting surface is capable of supporting the mount and equipment.
- The Professional Installer must determine the proper way to attach the WALL BRACKET MODEL XXXX
- The installation of the mount and equipment is dependent on proper/secure attachment and is the responsibility of the installer.
- Make sure wall will support 4 times the combined weight of Equipment and Wall Mount.-
- This mount should be attached to wood studs only. Under no circumstances should this product be mounted to metal studs, unless an installation professional deems they have been adequately reinforced and will support 4 times the combined weight of Equipment and the Wall Mount.
- Please use only the bolts supplied with the unit or bolts of the correct size, making sure the hardware used is tightened properly for a secure installation..
- The WALL BRACKET MODEL is only intended to be used with the equipment listed on the install sheet. It is not meant to be used with any other equipment.
- If at anytime, a question arises regarding this installation (or regarding the safety or integrity of the projected use) cease the installation and either obtain the advice of another qualified installer or contact FEC.

- HARDWARE:**
- (4) 1/4" X 2 1/2" HEX HEAD LAG BOLT
 - (8) 8-32 X 1/4" PHILLIPS PAN HEAD SCREW
 - (2) 1/4-20 X 1/2" SCREWS
 - (2) 1/4" LOCK WASHER

FEC 5 Brewster St.-Unit 2
Glen Cove, NY 11542

PHONE: (516) 967-9565
fecrack@ix.netcom.com

P/N 23758
09-11-20