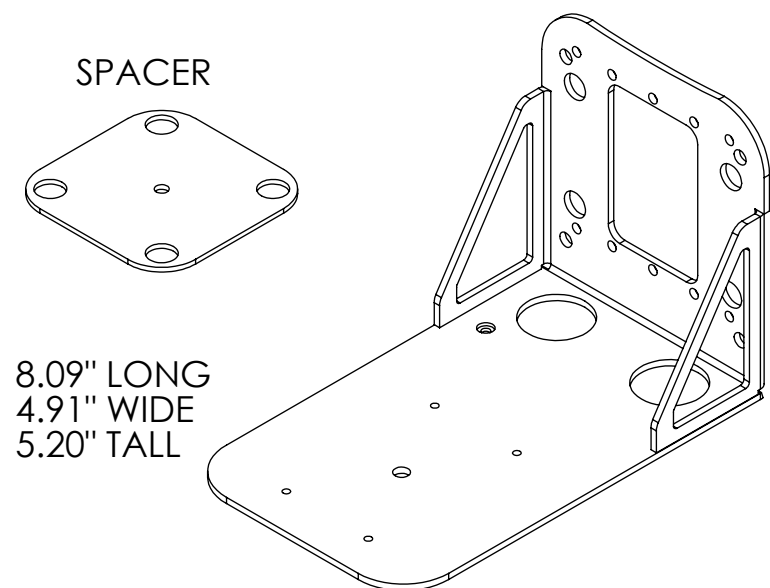
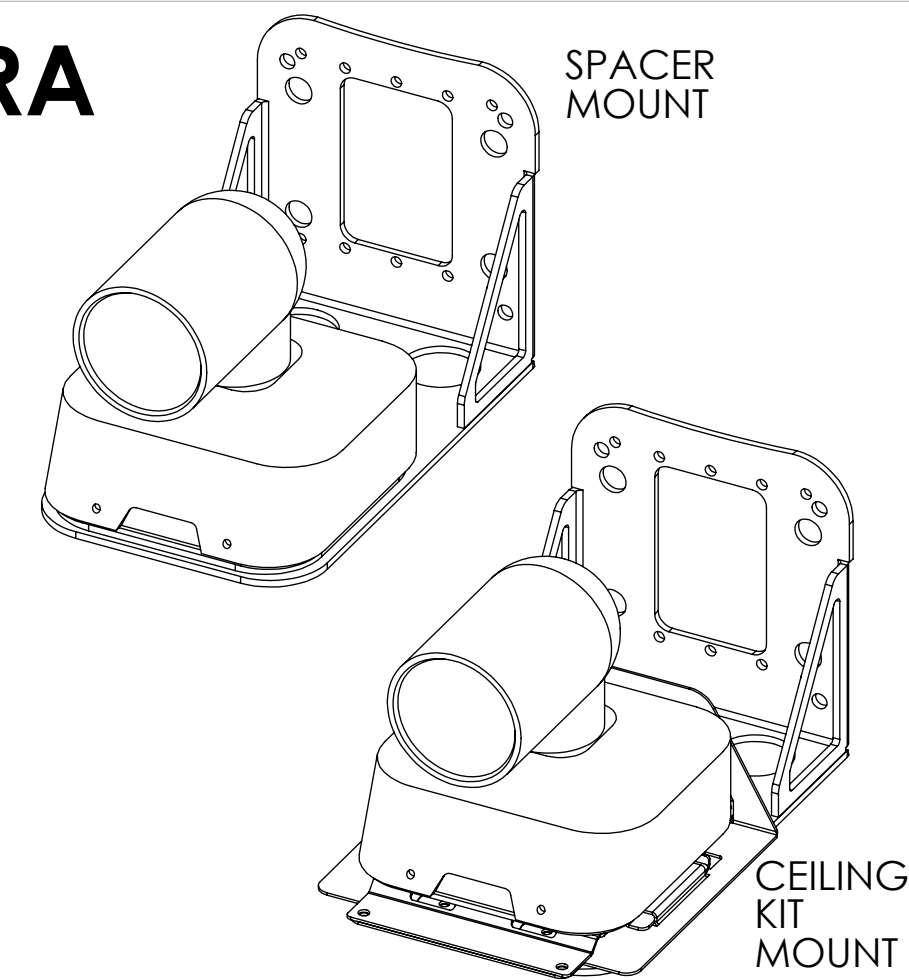


FEC MODEL FEC-4WMK/W FOR PANASONIC AW-UE4 PTZ CAMERA

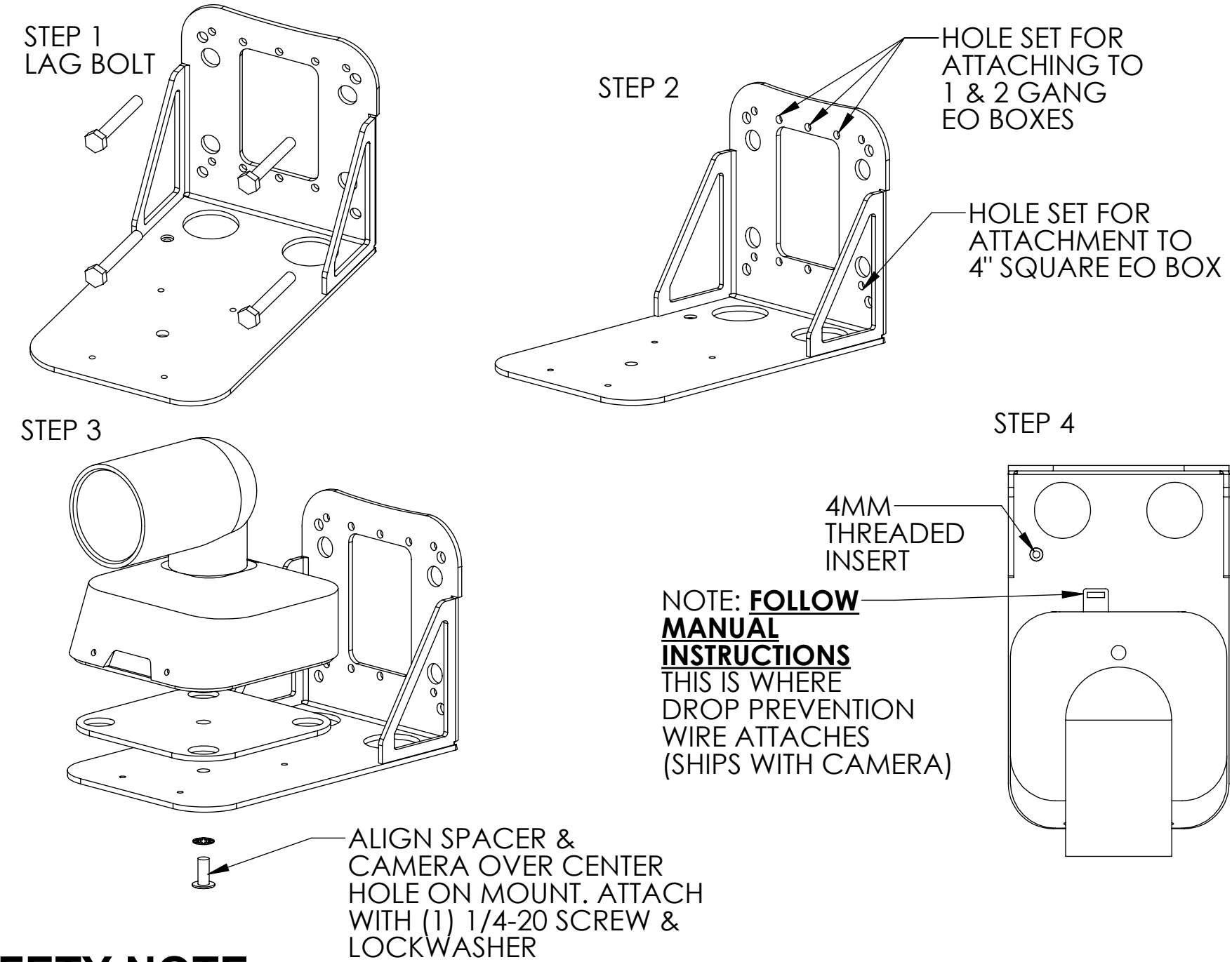


8.09" LONG
4.91" WIDE
5.20" TALL

- WALL MOUNT INSTRUCTIONS FOR INSTALLATION WITHOUT PANASONIC QUICK RELEASE PLATE:**
- 1 MOUNT BRACKET TO WALL USING APPROPRIATE HARDWARE THROUGH THE .25" MOUNTING HOLES. USE 1/4 x 2 1/2" LAG BOLTS FOR WOOD WALL STUDS. ROUTE CABLES THROUGH WIRE MANAGEMENT PORTS. (MAKE CERTAIN THAT MOUNTING METHOD IS SECURE AND FOLLOWS ACCEPTED NORMS FOR THIS APPLICATION)
 - 2 AS AN OPTION, THE WALL BRACKET MAY ALSO BE ATTACHED TO A 1 GANG, 2GANG OR 4" SQUARE EO BOX. (DO NOT USE EO BOX AS SOLE SUPPORT. WALL MOUNT BRACKET MUST BE SECURED WITH SUFFICIENT SIZE SCREWS THROUGH THE .25" DIAMETER. MOUNTING HOLES.)
 - 3 MOUNT SPACER AND CAMERA WITH (1) 1/4-20 SCREW AND LOCKWASHER
 - 4 FINISH SECURING CAMERA TO MOUNT WITH DROP PREVENTION WIRE PER CAMERA INSTRUCTIONS



"INSTALLATION WITHOUT PANASONIC QUICK RELEASE PLATE"



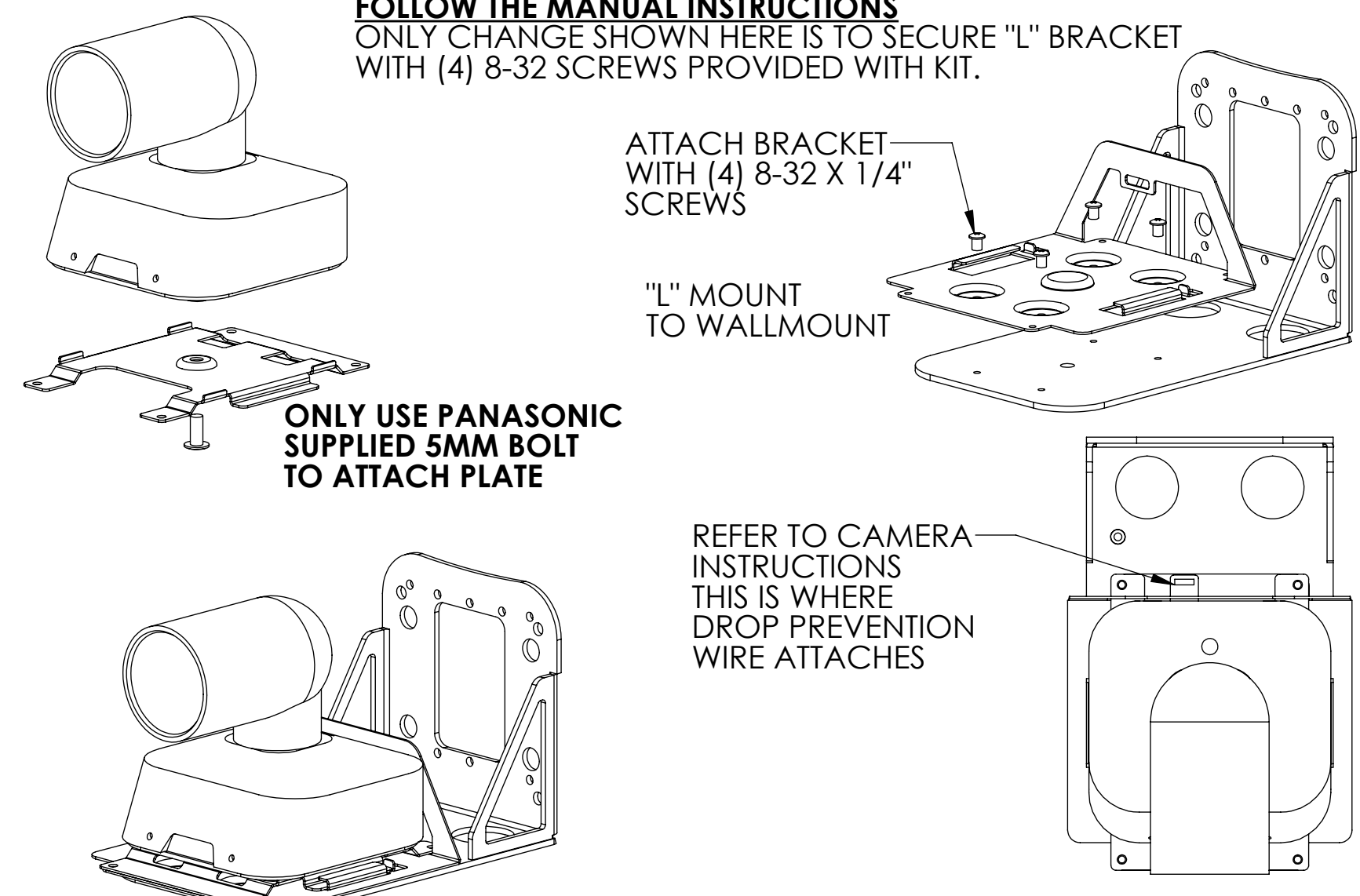
NOTE: **FOLLOW MANUAL INSTRUCTIONS** THIS IS WHERE DROP PREVENTION WIRE ATTACHES (SHIPS WITH CAMERA)

ALIGN SPACER & CAMERA OVER CENTER HOLE ON MOUNT. ATTACH WITH (1) 1/4-20 SCREW & LOCKWASHER

"CAMERA INSTALLATION WITH PANASONIC QUICK RELEASE PLATE"

THESE VIEWS ARE FOR REFERENCE IF ATTACHING PANASONIC CEILING KIT TO THE WALL MOUNT WITH PANASONIC HARDWARE.

FOLLOW THE MANUAL INSTRUCTIONS ONLY CHANGE SHOWN HERE IS TO SECURE "L" BRACKET WITH (4) 8-32 SCREWS PROVIDED WITH KIT.



SAFETY NOTE:

- Before beginning the installation, it is very important to examine the unit for damage, defects and correct hardware.
- The Installation instructions must be read and entirely understood prior to install.
- It must be determined that the mounting surface is capable of supporting the mount and equipment.
- The Professional Installer must determine the proper way to attach the WALL BRACKET MODEL XXXX
- The installation of the mount and equipment is dependent on proper/secure attachment and is the responsibility of the installer.
- Make sure wall will support 4 times the combined weight of Equipment and Wall Mount.-
- This mount should be attached to wood studs only. Under no circumstances should this product be mounted to metal studs, unless an installation professional deems they have been adequately reinforced and will support 4 times the combined weight of Equipment and the Wall Mount.
- Please use only the bolts supplied with the unit or bolts of the correct size, making sure the hardware used is tightened properly for a secure installation..
- The WALL BRACKET MODEL is only intended to be used with the equipment listed on the install sheet. It is not meant to be used with any other equipment.
- If at anytime, a question arises regarding this installation (or regarding the safety or integrity of the projected use) cease the installation and either obtain the advice of another qualified installer or contact FEC.

- HARDWARE:**
- (4) 1/4" X 2 1/2" HEX HEAD LAG BOLT
 - (4) 8-32 X 1/4" PHILLIPS PAN HEAD SCREW
- HARDWARE BELOW FOR INSTALL **WITHOUT** PANASONIC QUICK RELEASE ASSEMBLY
- (1) SPACER
 - (1) 1/4-20 X 1/4" SCREWS
 - (1) 1/4" LOCK WASHER

FEC 5 BREWSTER ST.
GLEN COVE, NY 11542

PHONE: (516) 967-9565
fecrack@ix.netcom.com

P/N 23531
03-20-20
06-04-20