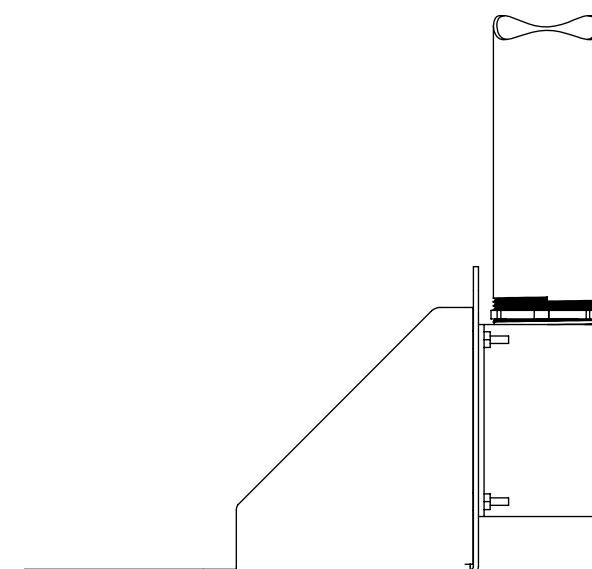
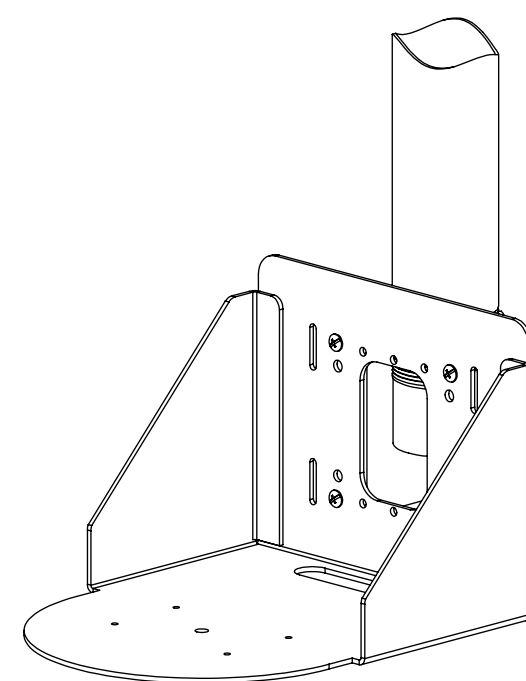
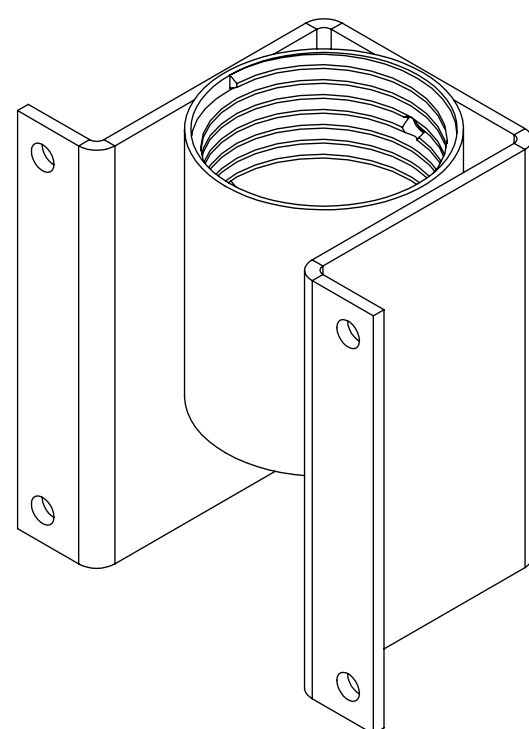


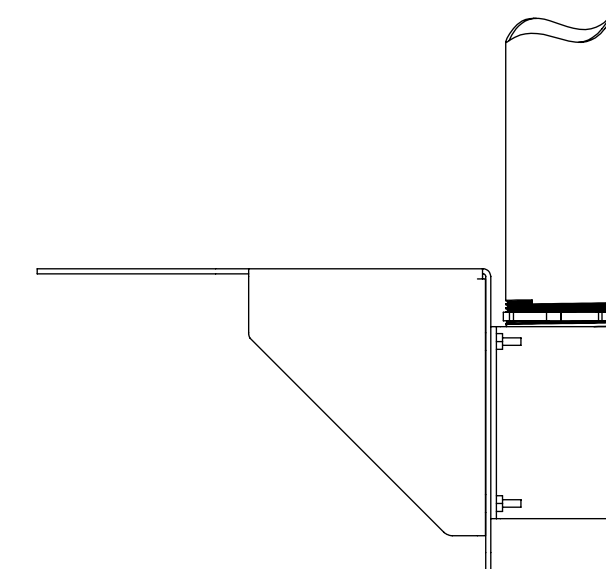
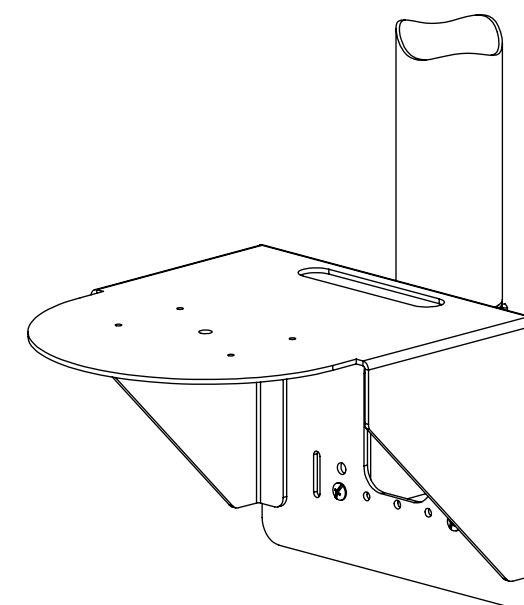
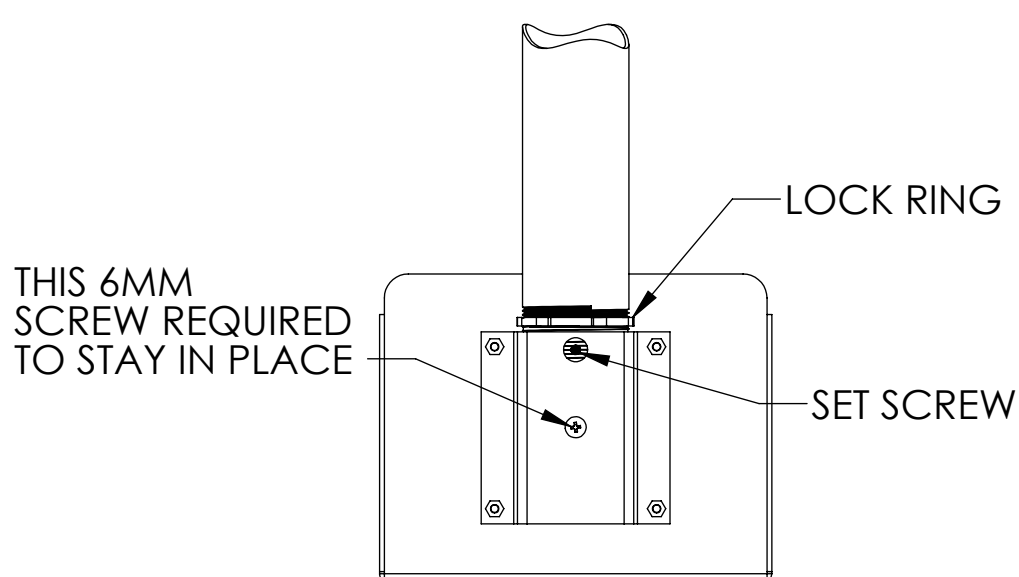
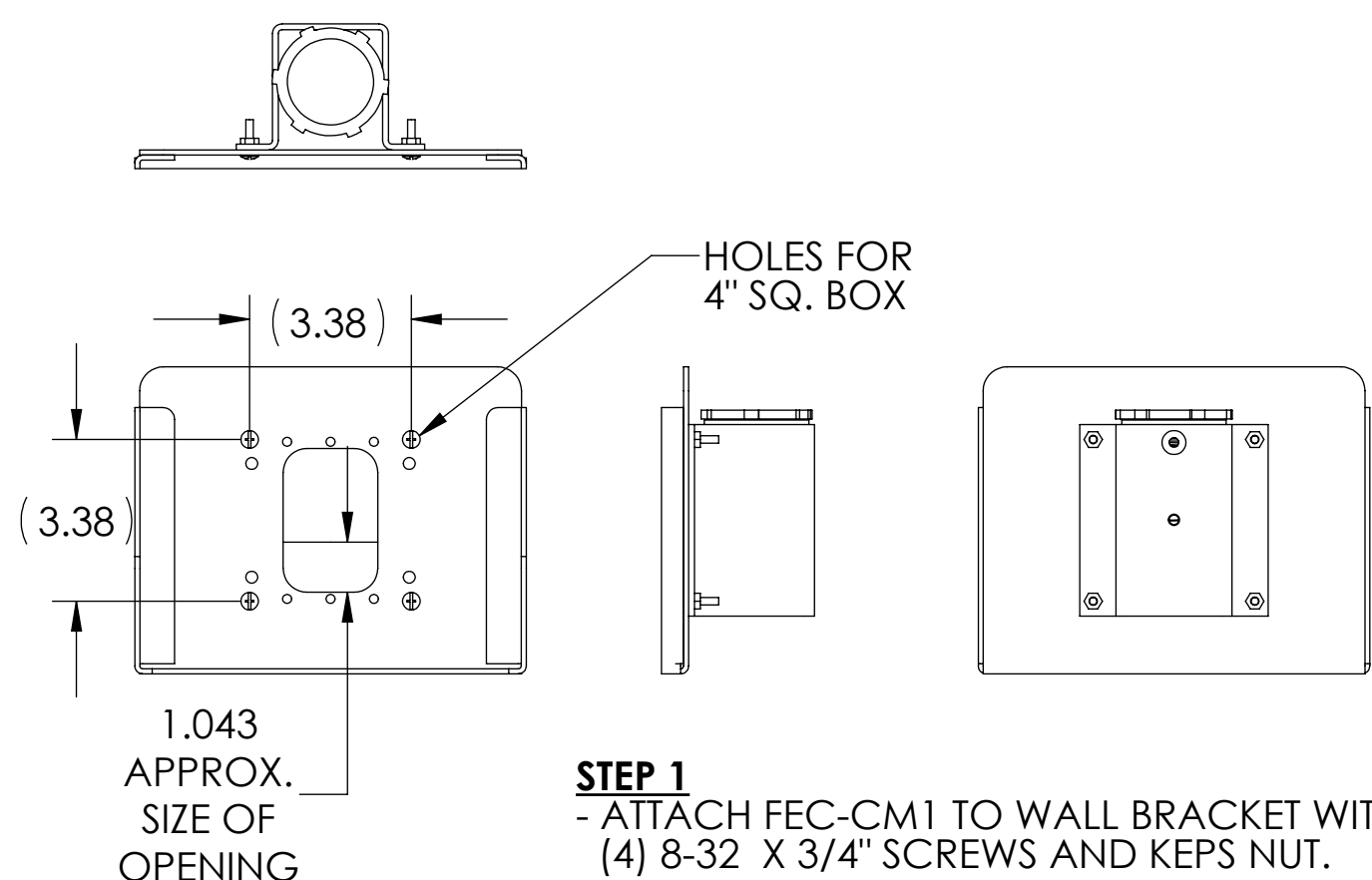
FEC MODEL FEC-PA1 CEILING POLE ADAPTER FOR PANASONIC



- PARTS INCLUDED IN KIT:**
- (1) ADAPTER BRACKET
 - (1) 1 1/2" NPT LOCK RING
 - (2) 6MM SET SCREWS
 - (1) 6MM HEX WRENCH
 - (4) 8-32 TRUSS HEAD SCREWS
 - (4) 8-32 NUTS WITH LOCKWASHER



REFERENCE VIEWS SHOW GENERAL MOUNT IN UPRIGHT & INVERTED POSITIONS



SAFETY NOTE:

- **INSTALLER SUPPLIED SAFETY LANYARD MUST BE INSTALLED.**
- Before beginning the installation, it is very important to examine the unit for damage, defects and correct hardware.
- The Installation instructions must be read and entirely understood prior to install.
- It must be determined that the mounting surface is capable of supporting the mount and equipment.
- The Professional Installer must determine the proper way to attach the CEILING ADAPTER
- The installation of the mount and equipment is dependent on proper/secure attachment and is the responsibility of the installer.
- Please use only the hardware supplied with the unit or bolts of the correct size, making sure the hardware used is tightened properly for a secure installation.
- **Installer must supply and install a safety cable that attaches firmly to the PTZ CAMERA/MOUNT ASSEMBLY and make sure it is secured properly to a structural cross member!**
- **Installer supplied Safety lanyard must be used even where local codes do not require it.**
- If at anytime, a question arises regarding this installation (or regarding the safety or integrity of the projected use) cease the installation and either obtain the advice of another qualified installer or contact FEC.

STEP 3

- INSTALLER SUPPLIED SAFETY LANYARD MUST BE USED EVEN WHERE LOCAL CODES DO NOT REQUIRE IT.
- FINISH INSTALLATION BY ATTACHING ANY REQUIRED CABLES, LINES OR ANY SECONDARY DEVICES AS REQUIRED PER MANUFACTURERS OR PROFESSIONAL INSTALLER'S INSTRUCTIONS.

HARDWARE:

- (4) 8-32 X 3/4" LONG PHILLIPS TRUSS HEAD SCREW
- (4) 8-32 KEPS NUT
- (2) 6MM SET SCREW & HEX WRENCH
- (1) 1 1/2 NPT LOCK RING

FEC 5 BREWSTER ST.
GLEN COVE, NY 11542

PHONE: (516) 967-9565
fecrack@ix.netcom.com

P/N 22627

6-26-18