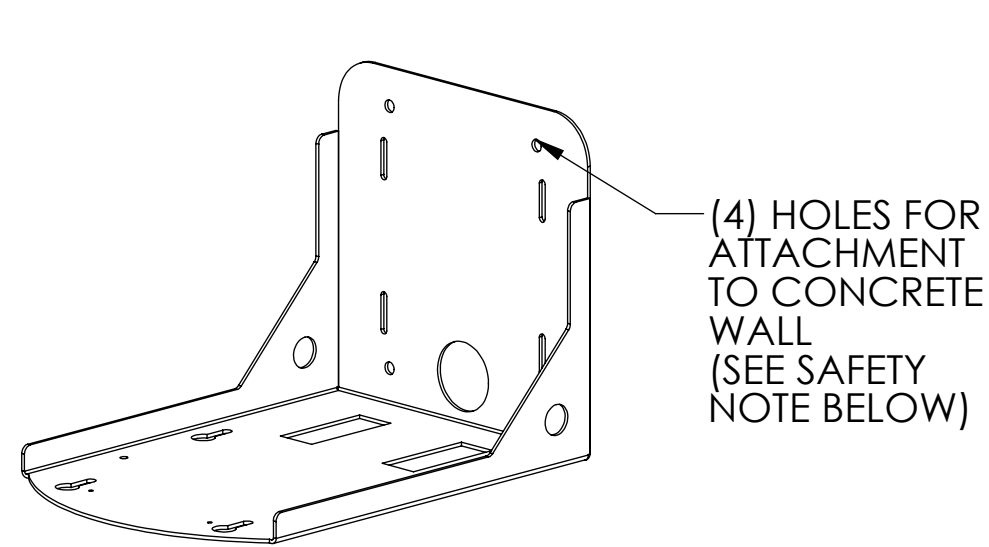
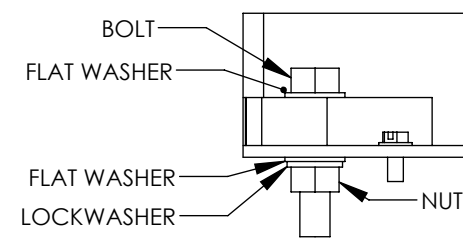
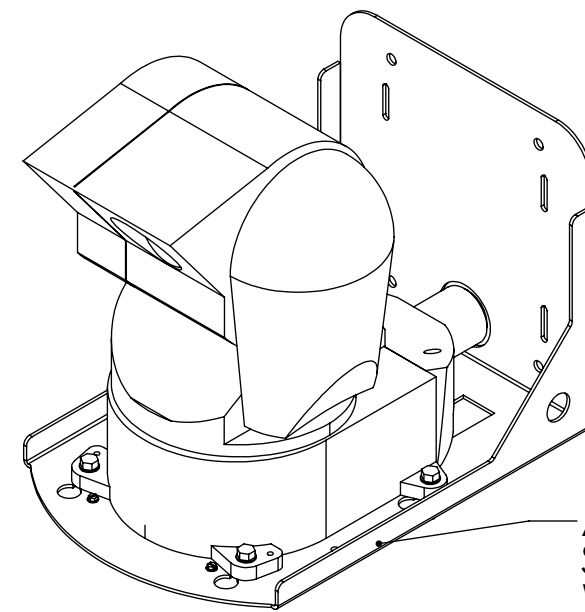


FEC MODEL FEC-140WMR FOR PANASONIC CAMERA MODEL AW-HR140PJ / AWHR-140EJ

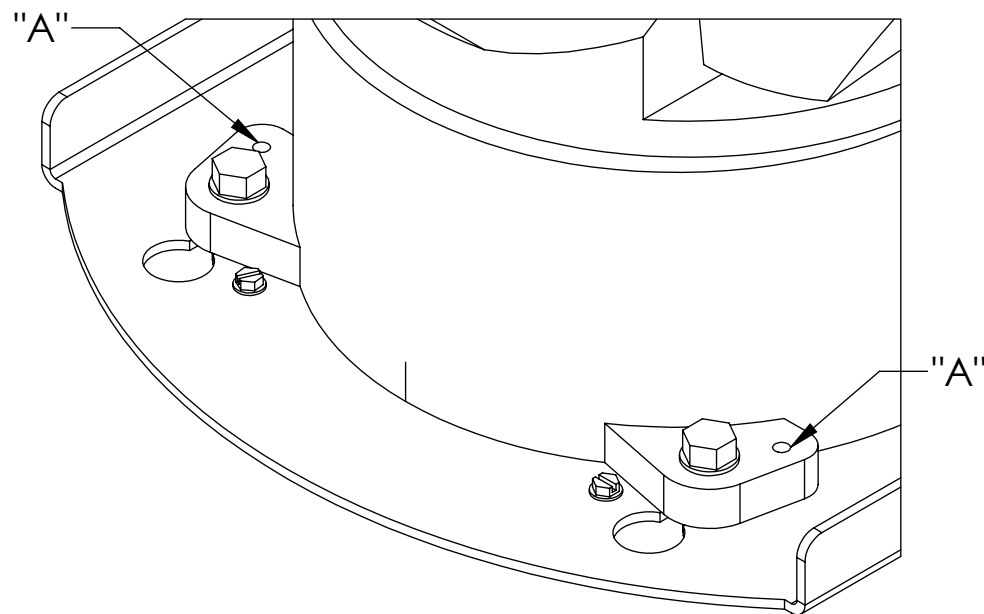
“PRIOR to INSTALL, be sure to READ and UNDERSTAND the Installation Precautions on pages 6&7 of the HMR-140 Owner’s Manual. If any questions arise, cease installation immediately until resolved. Hardware for the HMR-140 is for concrete mounting ONLY! Other surfaces are not suitable to support the weight, unless an engineer substantiates proper reinforcement has been provided. Refer to page 9 for proper installation of the Drop Prevention Wire. The M6 Bolt is included with the FEC-140WMR Wall Mount kit.”



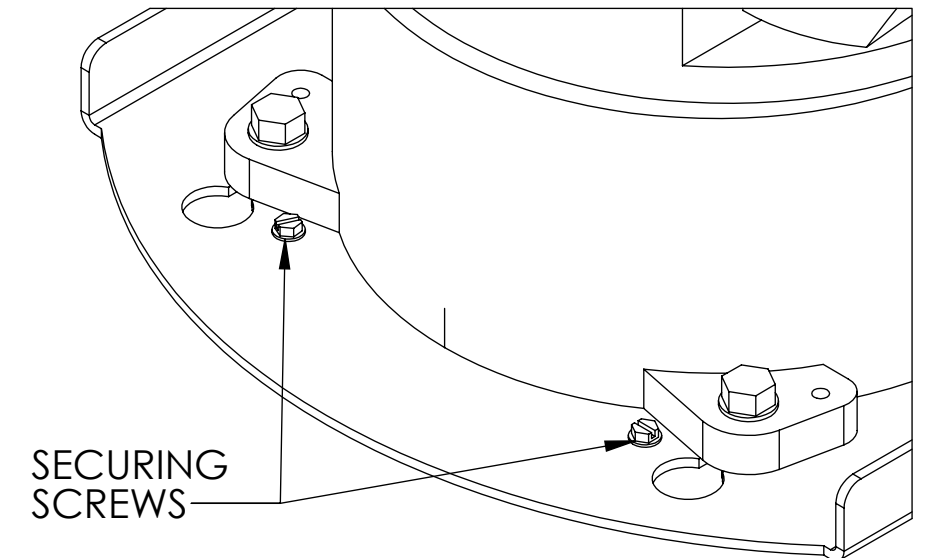
- STEP 1**
- MOUNT BRACKET TO WALL USING APPROPRIATE HARDWARE THROUGH THE 13/32" MOUNTING HOLES.
 - FOLLOW ANCHOR INSTALL SHEETS INCLUDED WITH THIS KIT FOR Trubolt WW-3822.
 - MAKE CERTAIN MOUNTING METHOD IS SECURE AND FOLLOWS ACCEPTED NORMS FOR THIS APPLICATION.



- STEP 2**
- ATTACH UNIT TO WALL BRACKET WITH THE FOLLOWING (4) 5/16 BOLTS, FLAT WASHER, LOCKWASHER, AND NUT PROVIDED THROUGH MOUNTING HOLES IN WALL BRACKET.
 - NOTE: MAKE SURE TO "SLIDE UNIT TO THE REAR AS FAR AS POSSIBLE OVER THE MOUNTING SLOTS THEN TIGHTEN HARDWARE.



- STEP 4**
- FOLLOW CAMERA OWNERS MANUEL TO INSTALL DROP REVENTION SAFETY WIRE TO UNIT REFERENCE "A", OR IF THERE IS NOT SUPPORT STRUCTURE WITHIN REACH USE MOUNTING TO THE WALL MOUNT AS AN ALTERNATIVE.



- STEP 3**
- INSTALL SECURING SCREWS AS FOLLOWS: TAKE THE (2) 8/32 SCREWS PROVIDED & INSTALL THEM IN FRONT OF THE UNIT AS SHOWN. NOTE: THESE SCREWS SHOULD ALWAYS BE MOUNTED WITH THE WASHER HEAD IN FRONT OF THE UNIT AS SHOWN HERE.

PRELIM INSTALL 5-11-17

- STEP 5**
- FINISH INSTALLATION BY ATTACHING ANY REQUIRED CABLES, LINES OR ANY SECONDARY DEVICES AS REQUIRED PER MANUFACTURES OR PROFESSIONAL INSTALLER'S INSTRUCTIONS.

SAFETY NOTE:

- Before beginning the installation, it is very important to examine the unit for damage, defects and correct hardware.
- The Installation instructions must be read and entirely understood prior to install.
- It must be determined that the mounting surface is capable of supporting the mount and equipment.
- The Professional Installer must determine the proper way to attach the WALL BRACKET.
- The installation of the mount and equipment is dependent on proper/secure attachment and is the responsibility of the installer.
- Make sure wall will support 4 times the combined weight of Equipment and Wall Mount.
- Please use only the bolts supplied with the unit or bolts of the correct size, making sure the hardware used is tightened properly for a secure installation..
- The WALL BRACKET is only intended to be used with the equipment listed on the install sheet. It is not meant to be used with any other equipment.
- If at anytime, a question arises regarding this installation (or regarding the safety or integrity of the projected use) cease the installation and either obtain the advice of another qualified installer or contact FEC.

HARDWARE:

- (4) CONCRETE WALL ANCHORS (RED HEAD WW-3822)
- (4) 5/16-18 X 1.50 LONG BOLT STAINLESS
- (4) 5/16 STAINLESS LOCKWASHER
- (8) 5/16 FLAT WASHER
- (4) 5/16-18 HEX NUT STAINLESS
- (2) 8-32 X 3/8" SCREW STAINLESS HEX WASHER HEAD SLOTTED
- (1) M6 X 12mm WASHER STAINLESS
- (1) M6 INTERNAL TOOTH LOCKWASHER STAINLESS
- (1) M6 HEX NUT STAINLESS
- (1) M6-1.0 X 16MM HEX CAP SCREW STAINLESS

FEC 5 BREWSTER ST.
GLEN COVE, NY 11542

PHONE: (516) 967-9565
fecrack@ix.netcom.com

P/N 22111
5-10-17