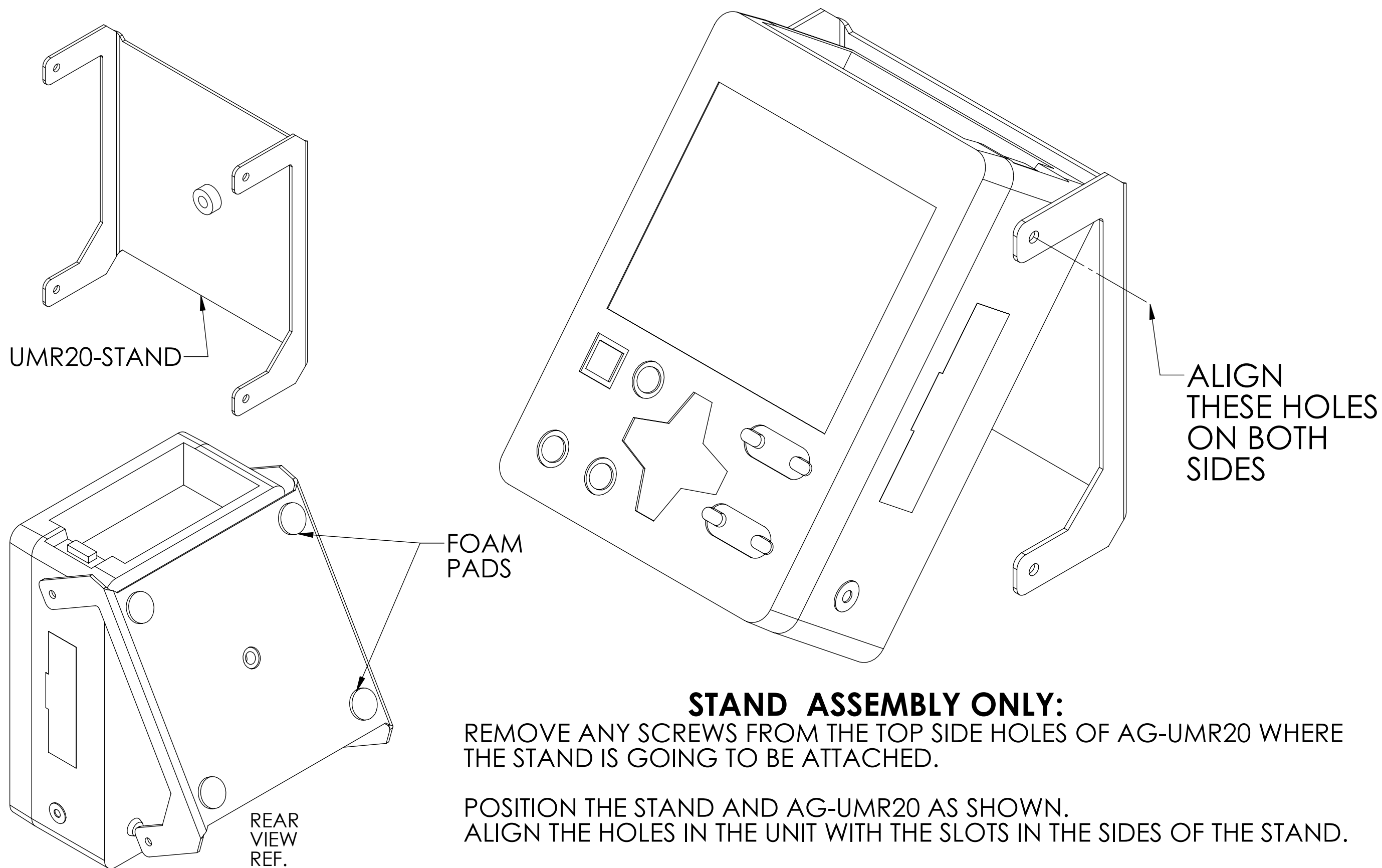


FEC MODEL UMR20-STAND FOR PANASONIC AG-UMR20

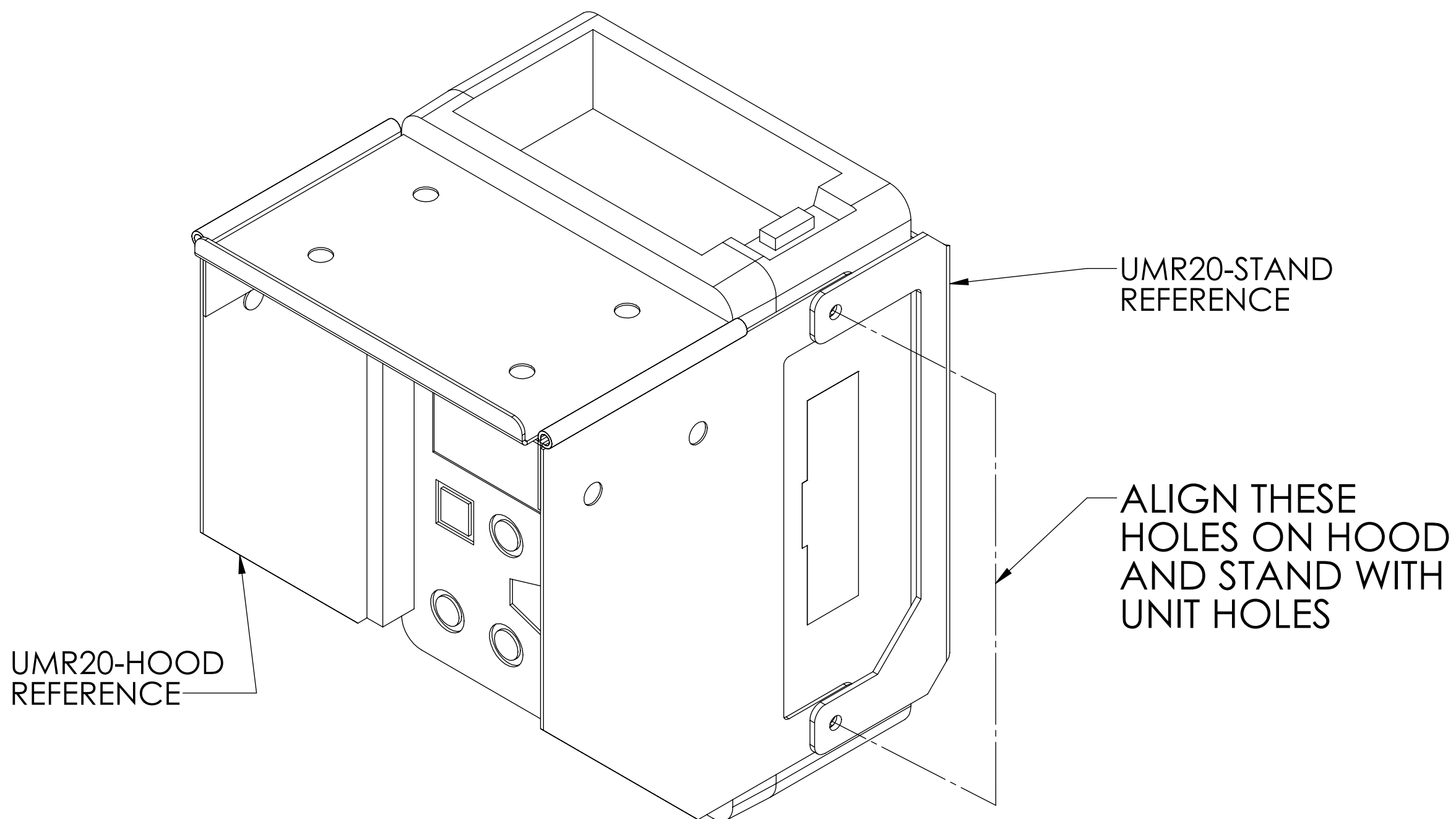


STAND ASSEMBLY ONLY:

REMOVE ANY SCREWS FROM THE TOP SIDE HOLES OF AG-UMR20 WHERE THE STAND IS GOING TO BE ATTACHED.

POSITION THE STAND AND AG-UMR20 AS SHOWN.
ALIGN THE HOLES IN THE UNIT WITH THE SLOTS IN THE SIDES OF THE STAND.

ASSEMBLE USING A 3MM X 8MM PAN HEAD SCREW IN EACH HOLE.



STAND AND HOOD ASSEMBLY:

REMOVE ANY SCREWS FROM THE SIDE HOLES OF AG-UMR20 WHERE THE HOOD AND STAND ARE GOING TO BE ATTACHED.

POSITION THE HOOD AND AG-UMR20 AS SHOWN WITH STAND LEGS OUTSIDE.

ALIGN THE HOLES IN THE UNIT WITH THE SLOTS IN THE HOOD AND THE HOLES IN THE STAND.

ASSEMBLE USING A 3MM X 8MM PAN HEAD SCREW IN EACH HOLE.

P/N: 22149