

SECTION 5

EXPLODED VIEWS & REPLACEMENT PARTS LIST

Model No. : **AU-XPD1/P/E/EN/MC/AN**

Note:

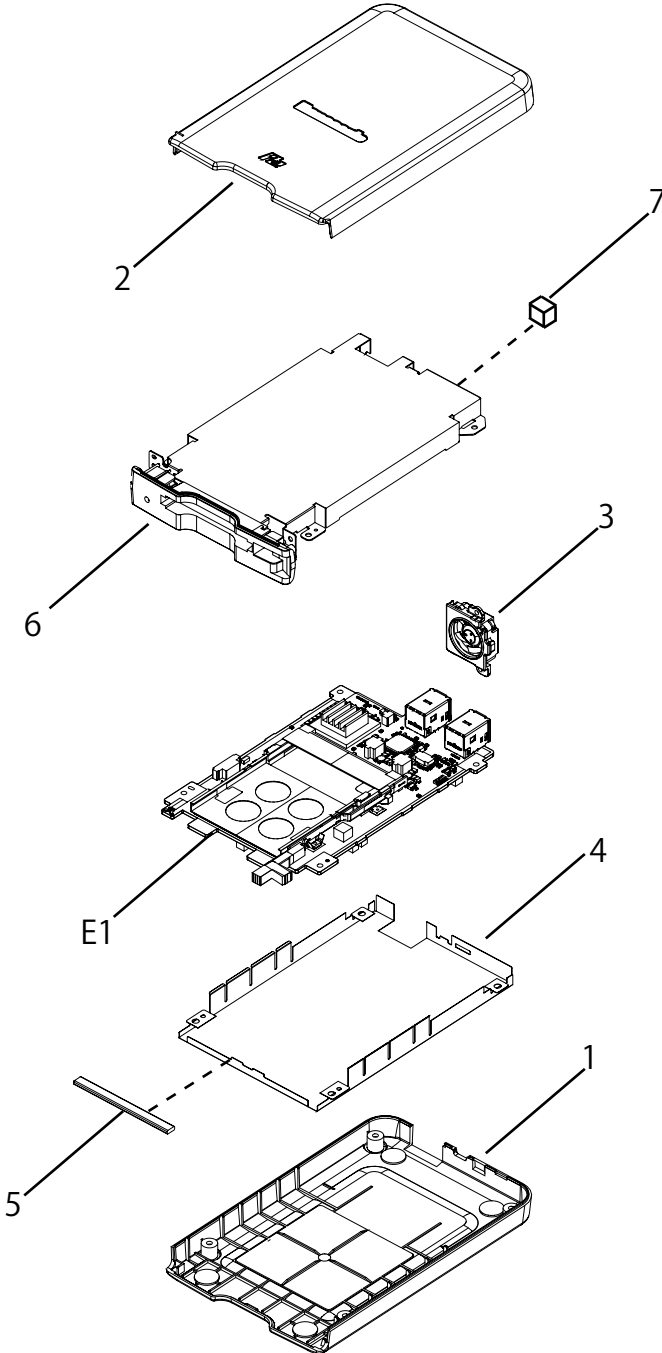
1. * Be sure to make your orders of replacement parts according to this list.
2. Unless otherwise specified, all resistors are in OHMS, K=1,000 OHMS, all capacitors are in MICROFARADS (uF), P=uuF.
3. The P.C.Board unit marked with "■" shown below the main assembled parts.
4. The parts marked with ⊕ on the exploded view show the electric parts.
5. IMPORTANT SAFETY NOTICE
Components identified with mark ⚠ have the special characteristics for safety. When replacing any of these components, use only the same type.
6. The marking (RTL) indicates the retention time is limited for this item.
7. "M" in Remark column indicates needed in the periodical maintenance

CONTENTS

CASING PARTS ASSEMBLY	T ÚŠ-1
PARTS LIST	T ÚŠ-2

Á

MODULE PARTS ASSEMBLY



MPL-1

