

SECTION 6


EXPLODED VIEWS & REPLACEMENT PARTS LIST

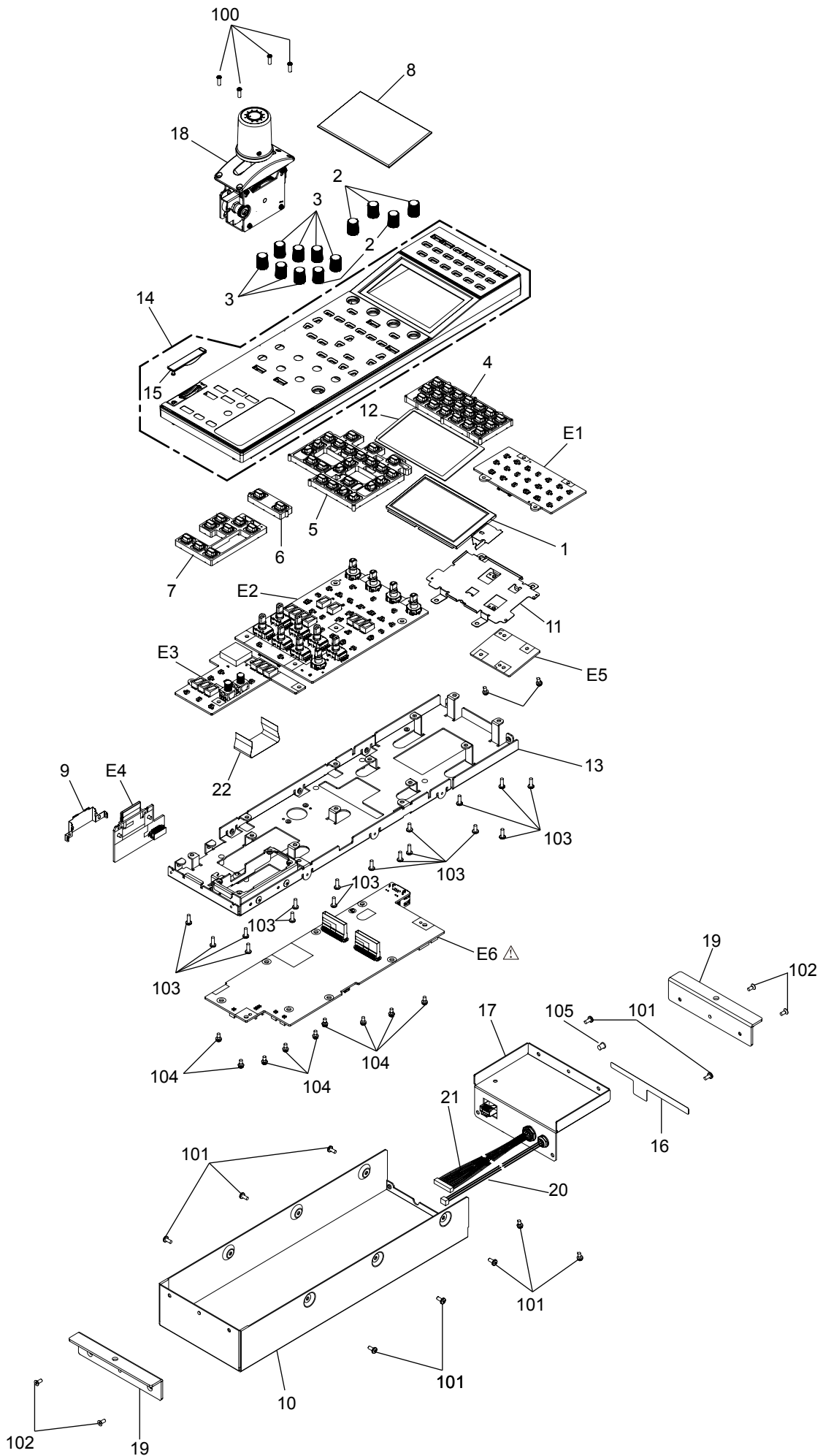
Model No. : **AK-HRP1000/G/MC**

Note:

1. *Be sure to make your orders of replacement parts according to this list.
2. Unless otherwise specified, all resistors are in OHMS, K=1,000 OHMS, all capacitors are in MICROFARADS (μ F) P= μ μ F.
3. The P.C.Board unit marked with "■" shown below the main assembled parts.
4. The parts marked with $\text{\textcircled{E}}$ on the exploded view show the electric parts.
5. IMPORTANT SAFETY NOTICE
Components identified with the mark \triangle have the special characteristics for safety When replacing any of these components, use only the same type.
6. The marking (RTL) indicates the retention time is limited for this item.
After the discontinuation of this assembly in production, it will no longer be available.
7. "M" in Remark column indicates needed in the periodical maintenance.

MAIN FRAME ASSEMBLY

Components identified with the mark  have the special characteristics for safety. When replacing any of these components, use only the same type.



Ref. No.	Part No.	Part Name & Description	Pcs	Remarks
1	L5EDDY00197	LCD MODULE	1	
2	VGUOS08	KNOB A	7	
3	VGUOS09	KNOB B	5	
4	VGUOS10	SW PAD A	1	
5	VGUOS11	SW PAD B	1	
6	VGUOS12	SW PAD C	1	
7	VGUOS13	SW PAD D	1	
8	VKW3555	LCD WINDOW	1	
9	VMP0D59	SD HOLDER	1	
10	VMPOL21	BASE COVER	1	
11	VMPOL26	LCD BRACKET	1	
12	VMT2128	LCD PAD	1	
13	VYK6U92	MAIN CHASSIS	1	
14	VYK6U94	TOP COVER UNIT	1	
15	VGP6522	SD COVER	1	
16	VGH5443	CN LABEL	1	
17	VMPOL22	CN COVER	1	
18	VYQ9089	FADER UNIT	1	
19	VMPOL25	MOUNT BRACKET	2	
20	VEE1N28	CABLE	1	
21	VEE1N27	CABLE	1	
22	VWJ40G6070LO	FLEXIBLE CABLE	1	CN2104 (PANEL2 PCB) -CN101 (PANEL3 PCB)
100	XQN26+A8FJK	SCREW	4	
101	XSB26+6FJ	SCREW	10	
102	XSS26+6FN	SCREW	4	
103	XTV26+8GFJ	SCREW	15	
104	XYN26+J6FJ	SCREW	13	
105	XYM4+E8V	SCREW	1	
	VEE1Q89	CABLE	1	CN800-CN8001 (MAIN PCB)
	VEE1S03	CABLE	1	CN1002 (MAIN PCB) -CN4002 (LCD PCB)
	VJF1626	MINI CLAMP	1	FOR VEE1Q89
	VWJ20G7120LO	FLEXIBLE CABLE	1	CN1101 (PANEL1PCB) -CN2103 (PANEL 2 PCB)
E1	VEP60969A	PANEL1 P. C. BOARD	1	
E2	VEP60970A	PANEL2 P. C. BOARD	1	
E3	VEP60971A	PANEL3 P. C. BOARD	1	
E4	VEP60973A	SD CARD P. C. BOARD	1	
E5	VEP60974A	LCD P. C. BOARD	1	
E6	VEP69168A-S	MAIN P. C. BOARD	1	

Ref. No.	Part No.	Part Name & Description	Pcs	Remarks
	VPG3W20	PACKING CASE IN	1	
	VPG3W21	PACKING CASE OUT	1	
	VPN7860	CUSHION	2	
	VPN7861	LEVER_CUSHION	1	
	VPN7535	TOP CUSHION	1	

Ref. No.	Part No.	Part Name & Description	Pcs	Remarks
■ E1	VEP60969A	PANEL1 P. C. BOARD	1	
■ E2	VEP60970A	PANEL2 P. C. BOARD	1	
■ E3	VEP60971A	PANEL3 P. C. BOARD	1	
■ E4	VEP60973A	SD CARD P. C. BOARD	1	
■ E5	VEP60974A	LCD P. C. BOARD	1	
■ E6	VEP69168A-S	MAIN P. C. BOARD	1	
■ E2	VEP60970A	PANEL2 P. C. BOARD	1	
SW101-05	K9AA015Y0064	SWITCH	5	
VR2901-07	D2BKB14Y0001	VARIABLE RESISTOR	7	
■ E3	VEP60971A	PANEL3 P. C. BOARD	1	
VR801,02	D2BCA14Y0016	VARIABLE RESISTOR	2	
■ E6	VEP69168A-S	MAIN P. C. BOARD	1	
△ F100,01	K5H102YA0065	FUSE	2	
△ F200	K5H312300005	FUSE	1	
JK800	K2LC1YYB0028	LAN CONNECTOR	1	
△ PA200	K5H2012A0007	FUSE	1	
△ PA1000	K5H5011A0004	FUSE	1	