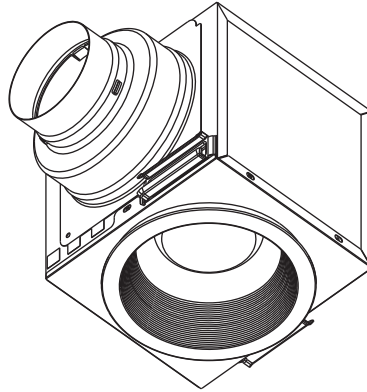


Service Manual

Ventilating Fan
(North America Market)
FV-NLF46RES



SPECIFICATIONS

| Model No. | Air direction | Voltage (V) | Frequency (Hz) | Duct diameter (inches) | Power consumption (W) | Weight lb. (kg) |
|-------------|---------------|-------------|----------------|------------------------|-----------------------|-----------------|
| | | | | | Lamp | |
| FV-NLF46RES | Exhaust | 120 | 60 | 4 | 11.0 | 5.3(2.4) |
| | | | | 6 | 11.0 | |

⚠ WARNING

This service information is designed for experienced repair technicians only and is not designed for use by the general public. It does not contain warnings or cautions to advise non-technical individuals of potential dangers in attempting to service a product. Products powered by electricity should be serviced or repaired only by experienced professional technicians. Any attempt to service or repair the product or products dealt with in this service information by anyone else could result in serious injury or death.

IMPORTANT SAFETY NOTICE

There are special components used in this equipment which are important for safety. These parts are marked by \triangle in the Schematic Diagrams, Exploded Views and Replacement Parts List. It is essential that these critical parts should be replaced with manufacturer's specified parts to prevent shock, fire or other hazards. Do not modify the original design without permission of manufacture. We suggest to handle such parts after the static electricity prevention. It is forbidden to touch the PCB parts by bare hands during the repairing process.

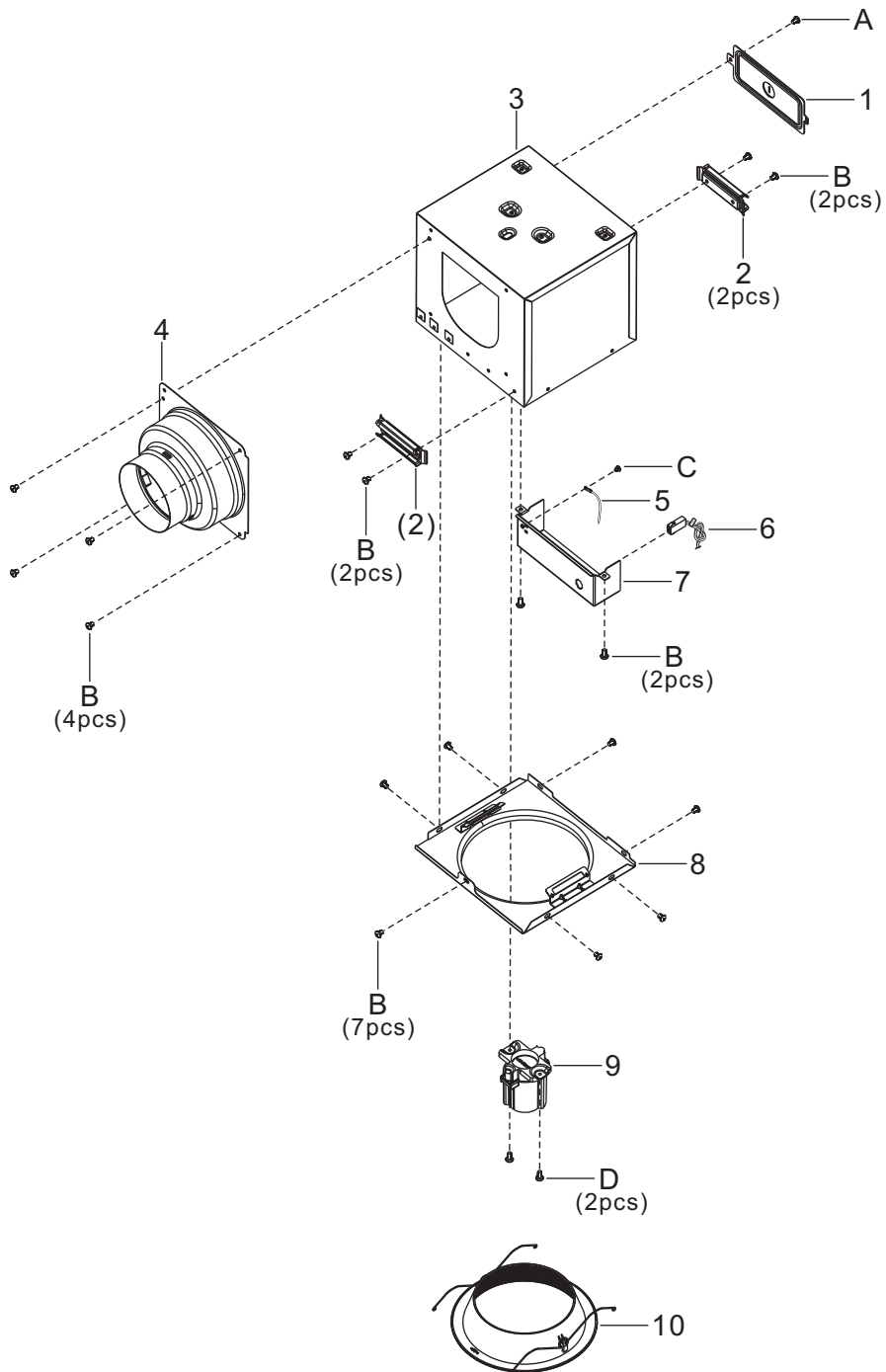
CONTENTS

| | PAGE |
|-----------------------------|------|
| 1.Parts Identification----- | 1~2 |
| 2.Wiring Diagram----- | 3 |
| 3.Parts List----- | 4 |

1. Parts Identification

FV-NLF46RES

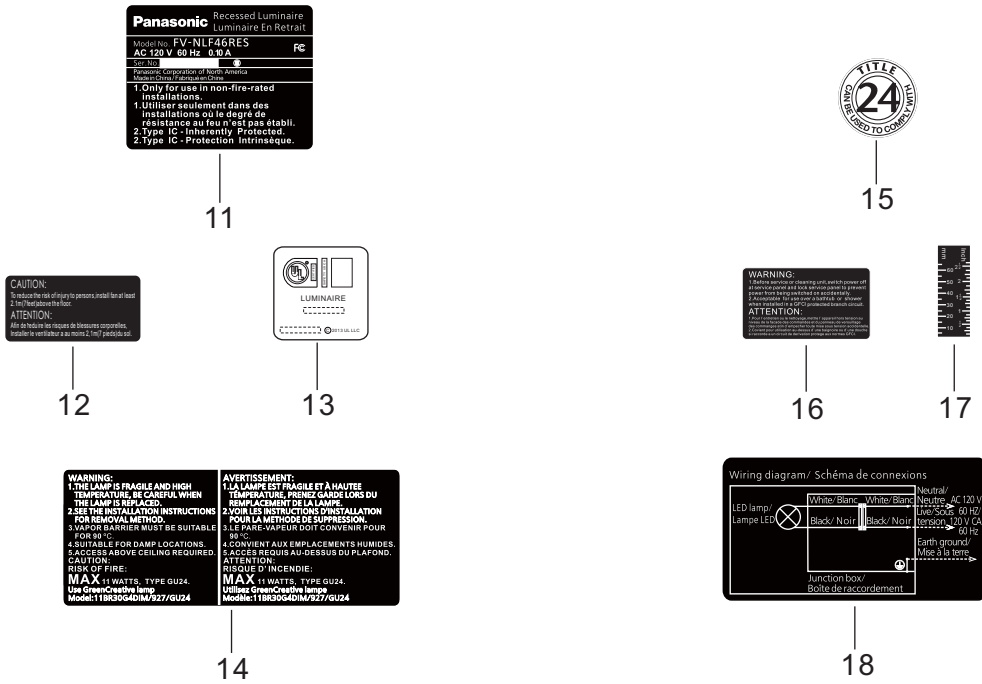
Main Body Section



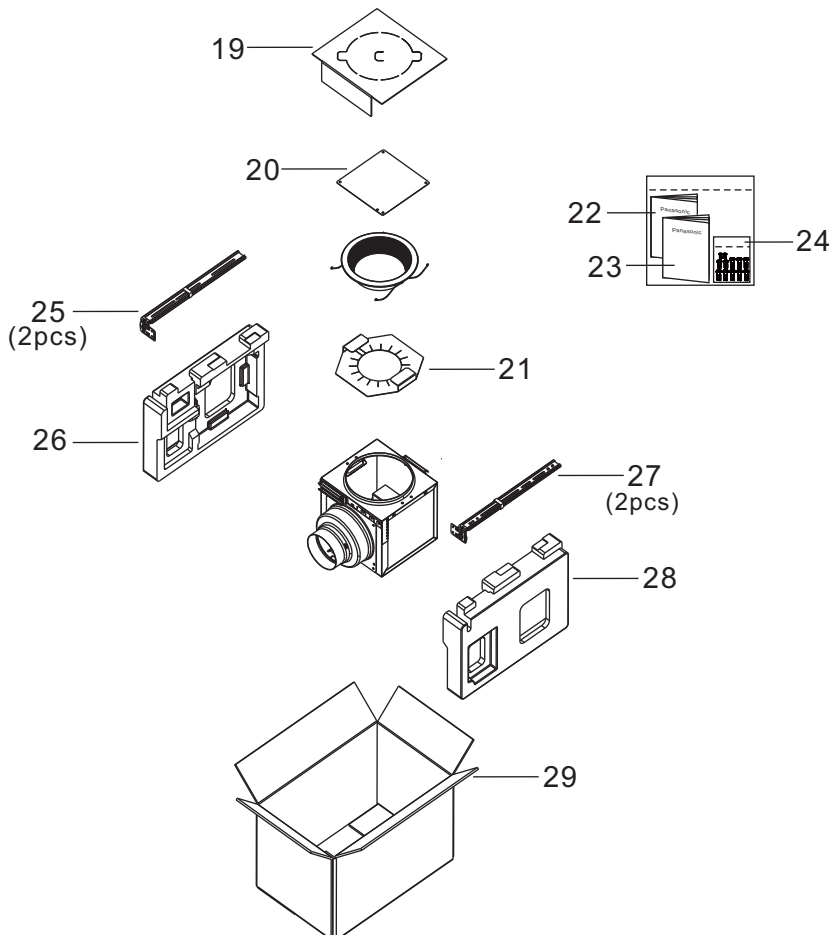
1. Parts Identification

FV-NLF46RES

Main Labels

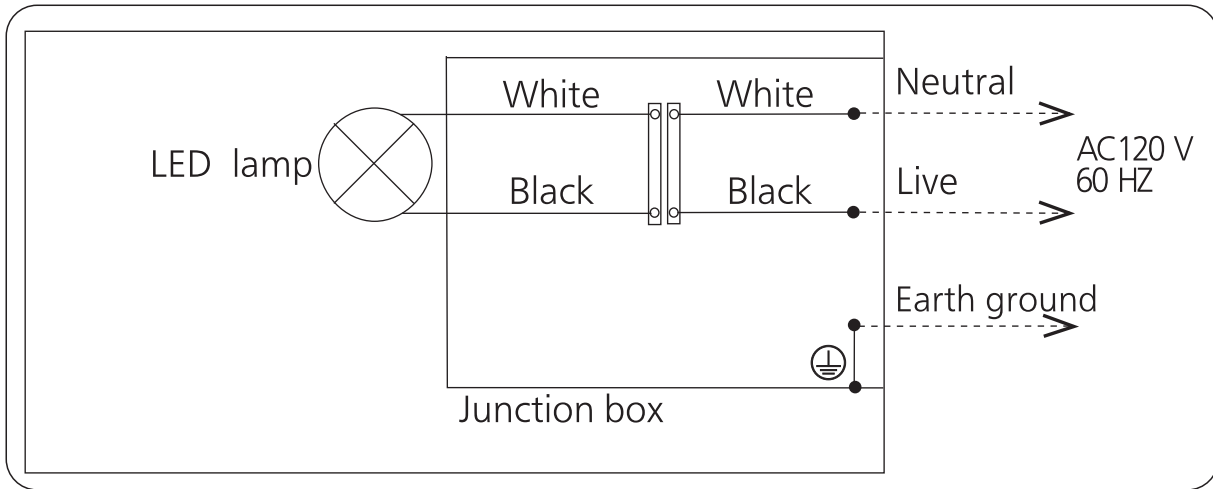


Packing Section



2. Wiring diagram

FV-NLF46RES



3. Parts List

FV-NLF46RES

Main Body Section

| No. | Part No. | Part Name | Q'ty | Remark |
|-----|-------------|----------------------|------|------------------------------|
| 1 | FFV6710026S | Wiring Cover Unit | 1 | |
| 2 | FFV0420027S | Bracket Cover | 2 | |
| 3 | FFV1600150S | Frame Assy | 1 | |
| 4 | FFV0000125S | Adapter Assembly | 1 | |
| 5 | FFV3402103S | Earth Lead Wire | 1 | ⚠ |
| 6 | FFV0900056S | Connector Assembly L | 1 | ⚠ |
| 7 | FFV2800015S | Junction Box | 1 | |
| 8 | FFV1600151S | Frame Cover Assy | 1 | |
| 9 | FFV3410044S | Light Unit Assembly | 1 | ⚠ |
| 10 | FFV5840030S | Trim Assembly | 1 | |
| A | FFV7000108S | Truss Tap Screw | 1 | |
| B | FFV7000018S | Truss Tap Screw | 17 | |
| C | FFV7000211S | Earth Screw Assy | 1 | For Fixing Earth Lead Wire ⚠ |
| D | FFV7000202S | Bind Tap Screw | 2 | |

Main Labels

| | | | | |
|----|-------------|----------------|---|--|
| 11 | FFV4020860S | Name Plate | 1 | |
| 12 | FFV6730041S | Warning Label | 1 | |
| 13 | FFV2260005S | UL Mark | 1 | |
| 14 | FFV6730100S | Warning Label | 1 | |
| 15 | FFV4730001S | T24 Mark Label | 1 | |
| 16 | FFV0810002S | Caution Label | 1 | |
| 17 | FFV5720015S | Scale Tape | 1 | |
| 18 | FFV6730101S | Wiring Label | 1 | |

Packing Section

| | | | | |
|----|-------------|------------------------|---|----------------|
| 19 | FFV5840031S | Trim Plate Assembly | 1 | |
| 20 | FFV0000162S | Adapter Panel | 1 | |
| 21 | FFV5840032S | Trim Pad 1 | 1 | |
| 22 | FFV2540199S | Operation Instructions | 1 | English |
| 23 | FFV2540200S | Operation Instructions | 1 | Spanish&French |
| 24 | FFV0010236S | Accessory A | 1 | |
| 25 | FFV0420028S | Bracket Assembly 1 | 2 | |
| 26 | FFV4710405S | Left Pad | 1 | |
| 27 | FFV0420029S | Bracket Assembly 2 | 2 | |
| 28 | FFV4710406S | Right Pad | 1 | |
| 29 | FFV9001226S | Packing Case Assy | 1 | |